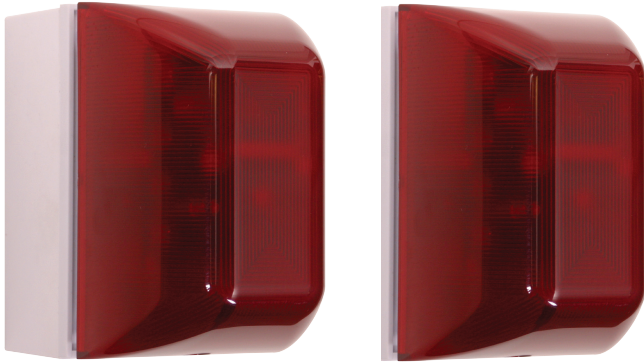


AGSAAB 24V Alarm Strobe



Audible / Visual Alarm Beacon

The AGSAAB is a remote visual and audible alarm beacon designed for use with the AGS gas detection series of products, including the GDP, MerlinGuard, and ParkSafe controllers. The AGSAAB offers a highly effective way to alert of a hazardous gas leak condition. The low power model give the capabilities to have more strobes from one panel. The AGS detection products feature integral alarm buzzers, but the AGSAAB offers redundancy and alarm in remote locations.

Features

- Offers 32 different tones
- Includes 10 high density LEDs
- For indoor use only, see AGSAAB-WC for a weatherproof cover
- Low power consumption which allows for multiple strobes from one control panel
- Durable polycarbonate construction
- Made in the USA

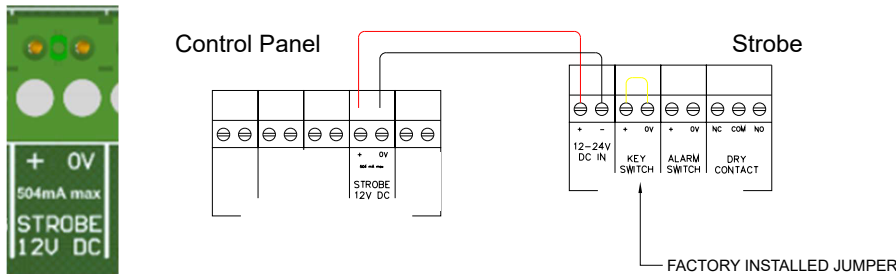
Compatible Accessories

- AGSAAB-WC weatherproof cover
- AGSAAB-BP - back piece



Wiring to AGS Control Panels

The AGS Control panels provide 12-24V dedicated outputs for alarm strobes. The diagram below shows a general detail on how the strobe wires to the control panel. The control panel terminal configurations may vary from panel to panel. See the control panel user manuals for more details on the strobe outputs.



Additional Color Models



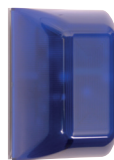
AGSAAB-G



AGSAAB-A



AGSAAB-W



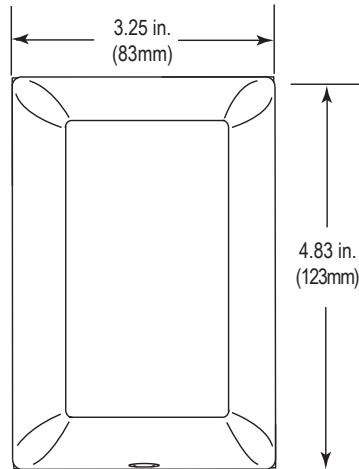
AGSAAB-B



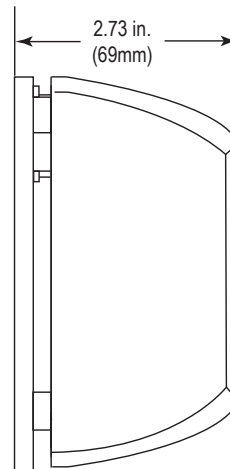
Add-AGSRLABEL

AGSAAB 24V Alarm Strobe

Technical Specifications	
Operating Voltage	12-24VDC
Power Consumption	Stand by: 50µA
	Siren low volume: 85mA
	Siren high volume: 90mA
	Strobe: 25mA
Siren Volume	Low: 85 dB at 1'
	High: 100 dB at 1'
Alert Tone	32 selectable sounds



FRONT



SIDE