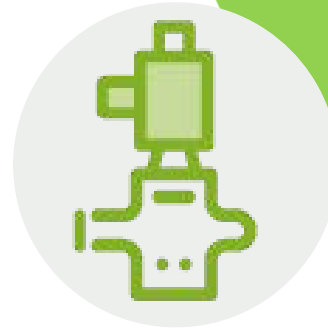


AGS-GSV

Gas Solenoid Valves
Normally Closed
Safety Shut Off



120VAC Power Input



UL Listed



Normally Closed Safety Shutoff



1/2" to 2" NPT Available For This Model
Various Other Sizes Also Available

Standards



Product Overview

The AGS range of normally closed, electrically operated gas valves provide safety shut down over combustible gas such as natural (Methane) and LP (Liquefied petroleum). Closed when de-energized, open when energized.

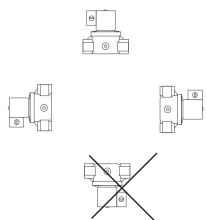
These valves are suitable for CSD-1 applications along with on/off control on water heaters, atmospheric boilers, roof top make up air units, power burners and commercial kitchen ranges.

Add manual re-set by incorporating an AGS control or panic button.

Features

- Zero Differential
- 0-5 PSI Max Working Pressure
- 110V AC
- 1/4" Inlet & Outlet Ports
- Integral Mesh Strainer
- Visual Power Indication
- Body: Die Cast Aluminum
- Max Temp: 140F
- Min Temp: 5F
- Resistant to debris and sediment

Mounting Position



Metal shoe construction of the diaphragm disc allows for vertical installation and eliminates damage from debris and over pressure. Built in mesh screen protects the internals from larger particles.

Power LED Indicator



Blue LED indicates valve is receiving control voltage and should be in the open position.



Sizes Available

Valve Size " (inch) NPT	AGS Part Number 0-5PSI
1/2"	AGS-GSV12
3/4"	AGS-GSV34
1"	AGS-GSV1
1+1/4"	AGS-GSV114
1+1/2"	AGS-GSV112
2"	AGS-GSV2

Outdoor Installation:

Add -WP Suffix for Water / Rain proof cover
Add - EN Suffix for Polycarbonate enclosure

Approvals

UL YIOZ Automatic Shut Off Valves
File MH64653
Complies with:
AGA
CSA/ANSI Z21.21-CGA6.5 FM
CSD-1 Acceptable



WARNING

If the flow is not in the same direction of arrow, valve may not shut off.



Technical Information:

Capacity

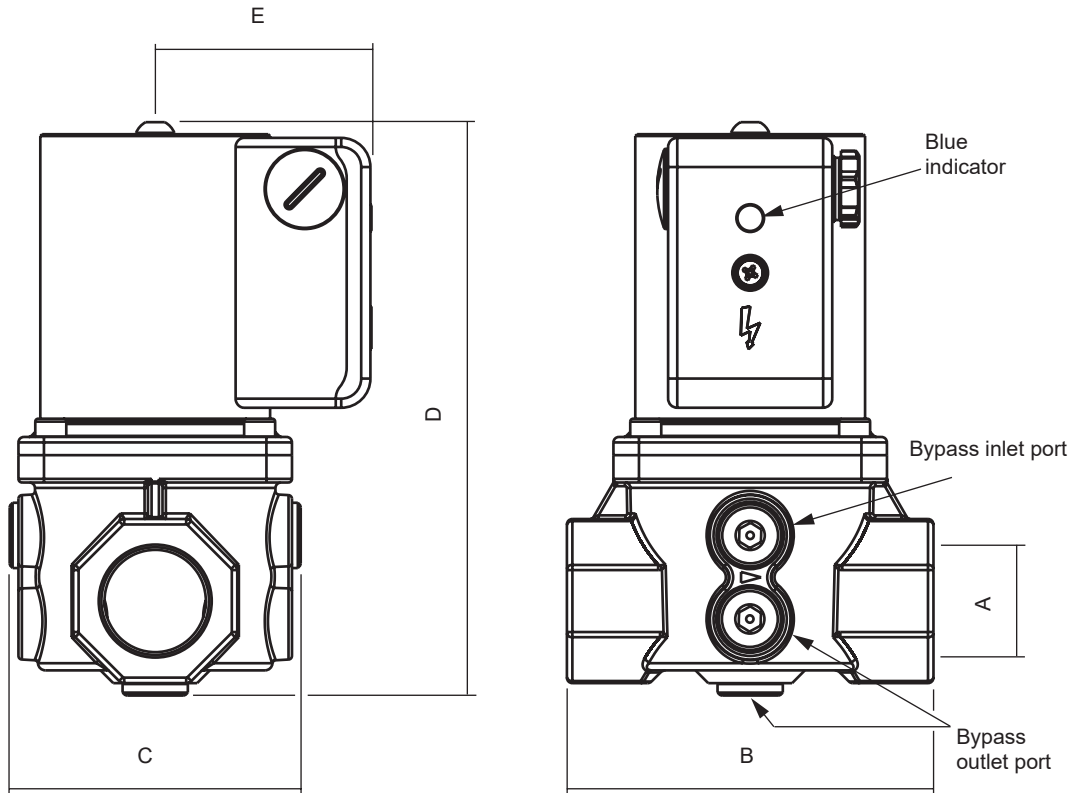
CFH at Pressure Drop of 1-Inch Water Column.

Size	M3/per/Hr	CFH	BTU/hr
0-5PSI			
1/2"	6.4	226	226,014
3/4"	14.8	648.52	522,657
1"	16.7	801.04	589,755
1+1/4"	38.5	1,686.40	1,369,615
1+1/2"	47.1	2062.12	1,663,320
2"	66.7	2920.20	2,355,488

Current Draw

Pipe Size (Inch)	110Vac / 5PSI
1/2" - 3/4" - 1"	0.160A
1+1/4"	0.160A
1+1/2"	0.35A
2"	0.41A

Dimensions



Size (Inch)	A	B	C	D	E
1/2"	1/2"	3.62"	3.00"	6.14"	2.32"
3/4"	3/4"	3.62"	3.00"	6.14"	2.32"
1"	1"	3.94"	3.15"	6.22"	2.32"
1-1/4"	1-1/4"	5.87"	4.53"	8.50"	2.80"
1-1/2"	1-1/2"	5.87"	4.53"	8.50"	2.80"
2"	2"	6.69"	5.59"	9.06"	3.00"

Find out more

American Gas Safety LLC

www.americangassafety.com

Head office:

6304 Benjamin Road, Suite 502, Tampa, FL 33634

Tel: (727) 608-4375

Email: info@americangassafety.com

