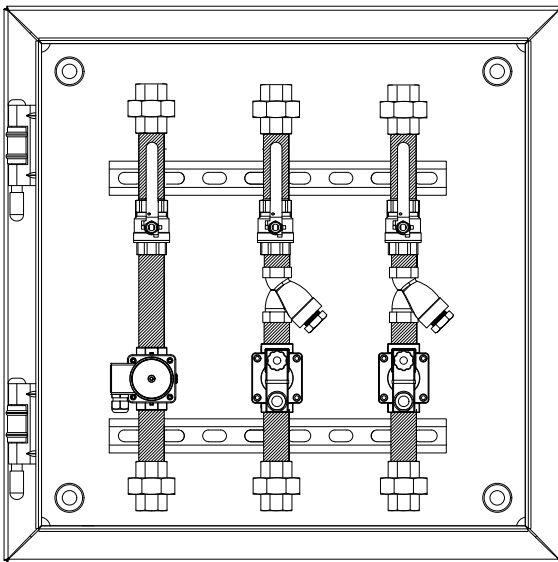


# AGSSOLENC Datasheet

Pre-assembled solenoid valve enclosures for use with AGS utility controllers.



Hinged Door  
 Powder Coated  
 Metal Enclosure



Manual Isolation Valves



UL 429 Safety  
 Shutoff Gas  
 Solenoid Valve



Normally Closed NSF  
 Approved Water  
 Solenoid Valves



Wye Strainers  
 to Prevent  
 Debris Damage



Safe for Plenum  
 Installation

## Standards



## Product Overview

AGS pre-assembled solenoid valve enclosures are designed for plug and play installation of valve components when using an AGS utility controller. The enclosure assemblies consist of a hinged door powder coated metal enclosure with one to three solenoid valves pre-mounted on a galvanized steel strut. Each solenoid valve will come complete with manual isolation valve and wye-strainer if required. Each gas and water pipe will have bulkhead unions for quick and easy installation. All of the components within the rack assemblies have been reviewed and tested by AGS engineers to ensure consistent and long term reliability. All solenoid enclosures are factory certified liquid tight and suitable for plenum installation.

### Manual Isolation Valves:

Water: isolation valves for water are brass lead free, 2 piece, full port with internal strainer basket.  
 Gas: isolation valves for gas are brass, 2 piece, full port.

### Mesh Size:

100-mesh, stainless steel internal components, brass lead free body.

### Strut Channels:

The strut channels are stainless steel, slotted, pre-galvanized, 12 gauge thickness.

### Solenoid Valves:

Gas solenoid valves are AGS GSV series, UL 429 safety shutoff.  
 Water solenoids are AGS SOLVLV series, NSF brass lead free, UL Listed.

### Enclosure:

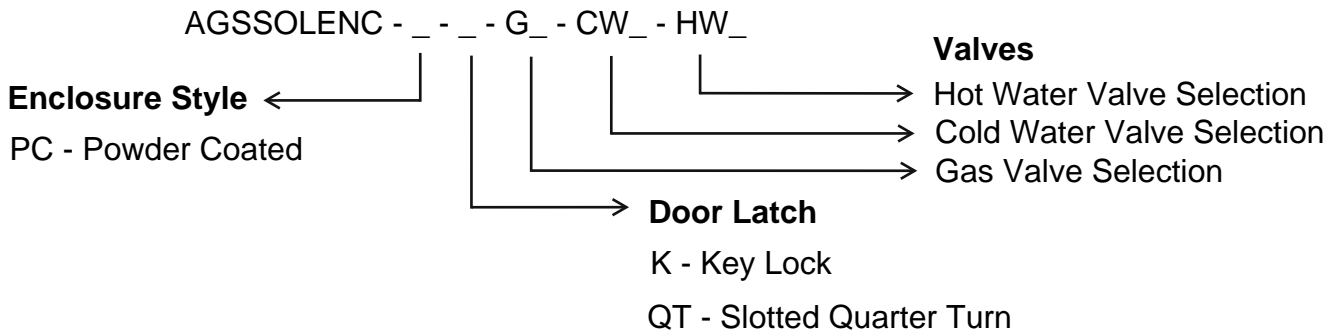
Solenoid enclosure is metal powder coated with a hinged door. With liquid tight bulkheads, enclosures are safe for plenum use.

### Liquid Tight Strain Reliefs:

Solenoid enclosures are provided with liquid tight strain reliefs for pipe entry and exit points. Grommets allow for installation into plenum spaces.



## Product Selection:



## Valve Selection Codes:

### Gas

Part Number	Size
G12	1/2" NPT
G34	3/4" NPT
G1	1" NPT
G114	1 1/4" NPT
G112	1 1/2" NPT

Gas Valves are AGSGSV series 0-5 PSI, Aluminum Body, UL 429.

### First Water Valve

Part Number	Size
CW12	1/2" NPT
CW34	3/4" NPT
CW1	1" NPT
CW114	1 1/4" NPT
CW112	1 1/2" NPT

Water valves are AGS SOLVLV series, NSF Approved Brass Lead Free, Normally Closed, 120VAC.

### Second Water Valve

Part Number	Size
HW12	1/2" NPT
HW34	3/4" NPT
HW1	1" NPT
HW114	1 1/4" NPT
HW2	1 1/2" NPT

## Example Part Codes

AGS SOLENC - PC - QT - G34 - CW12 - HW1

Includes a 3/4" gas valve, 1/2" and 1" water solenoid valves, wye-strainers, and manual isolation valve.

AGS SOLENC - SS - K - G1- CW1

Includes a 1" gas valve, 1" water valve, wye-strainers, and manual isolation valves.

## Technical Information:

### Gas Valves

CFH at Pressure Drop of 1-Inch Water Column.

Size	Pressure (PSI)	Capacity (CFH)	Capacity (BTUhr)
1/2"	0-5	226	226,014
3/4"	0-5	523	522,657
1"	0-5	590	589,755
1+1/4"	0-5	1,360	1,369,615
1+1/2"	0-5	1,663	1,663,320
2"	0-5	2,355	2,355,488

### Water Valves

Size	Pressure (PSI)	Temp Range (F)	Cv
1/2"	0.5-230	32-266	4.5
3/4"	0.5-230	32-266	7.6
1"	0.5-230	32-266	12
1+1/4"	0.5-230	32-266	22
1+1/2"	0.5-230	32-266	30
2"	0.5-230	32-266	48

Find out more

**American Gas Safety LLC**

[www.americangassafety.com](http://www.americangassafety.com)

Head office:

6304 Benjamin Road, Suite 502, Tampa, FL 33634

Tel: (727) 608-4375

Email: [info@americangassafety.com](mailto:info@americangassafety.com)

