

SOLRACK and SOLENC

AGS pre-assembled solenoid valve enclosures are designed for plug and play installation of valve components when using an AGS utility controller.

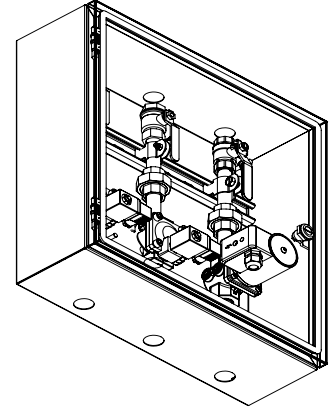
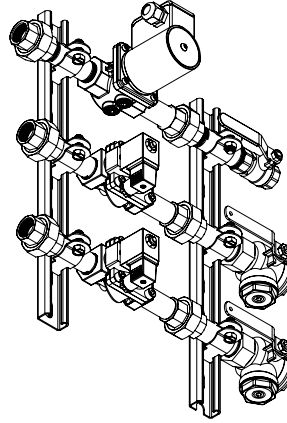
The rack assemblies (AGSSOLRACK) consist of one to five solenoid valves pre-mounted on a galvanized steel strut. Each solenoid valve will come complete with a manual isolation valve, a strainer if required, and unions for easy servicing and installation.

The SOLRACKS are placed into a selected compatible enclosure to create a SOLENC.

All of the components within the rack assemblies have been reviewed and tested by AGS engineers to ensure consistent and long term reliability.

Gas piping is black iron, water and compressed air piping is copper. Other options may be available on request.

All connections are NPT thread and factory tested to ensure no leaks.



Title: _____

Final Part Code

Build the final part code by using the selectors on the following pages

AGSSOLRACK

UNIT(S):

AGSSOLENC

UNIT(S):

ASSEMBLY TYPE	VALVE ASSEMBLY SELECTORS (SEE SELECTORS ON PG. 2)					ENCLOSURE SELECTORS			
	ASSEMBLY # 1	ASSEMBLY # 2	ASSEMBLY # 3	ASSEMBLY # 4	ASSEMBLY # 5	MOUNT TYPE	FINISH	LATCH TYPE	PIPE ENTRY

Additional Suffix	Description	Check if Selected
-VP	Vent Pipe	
-LV	Louver Vent	

Valve Assemblies

Assemblies will come with a solenoid valve, manual isolation valve, strainers as required, and unions for each servicing and installation.

Assembly #1 Description _____	Assembly #1 Pipe Material _____
Assembly #2 Description _____	Assembly #2 Pipe Material _____
Assembly #3 Description _____	Assembly #3 Pipe Material _____
Assembly #4 Description _____	Assembly #4 Pipe Material _____
Assembly #5 Description _____	Assembly #5 Pipe Material _____

Enclosure

All enclosures will come with pre cut pipe entry points.

Enclosure: Y N

Enclosure Mount Type: _____

Enclosure Latch Type: _____

Pipe Entry: _____

Enclosure Finish: _____

Enclosure Final Dimensions: _____

Orientation: Standard Orientation is Top to Bottom.

Standard Orientation: Bottom to Top: Left to Right: Right to Left: Top to Top:

FIND OUT MORE

info@americangassafety.com
(727)-608-4375

PROVIDING SAFETY & CONTROLS IN

- SCIENCE LABORATORIES
- BOILER ROOMS
- GAS FEATURES
- COMMERCIAL KITCHENS
- PARKING GARAGES
- EMS STATIONS

Valve Assembly Selectors

GAS SOLENOID VALVE ASSEMBLIES			
Code	Medium	Size (NPT)	Description
GV12	Gas	1/2"	1/2" Gas Solenoid Valve Assembly
GV34	Gas	3/4"	3/4" Gas Solenoid Valve Assembly
GV1	Gas	1"	1" Gas Solenoid Valve Assembly
GV114	Gas	1 1/4"	1 1/4" Gas Solenoid Valve Assembly
GV112	Gas	1 1/2"	1 1/2" Gas Solenoid Valve Assembly
GVPP12	Gas	1/2"	1/2" Gas Solenoid Valve Assembly w/ Pressure Transducer
GVPP34	Gas	3/4"	3/4" Gas Solenoid Valve Assembly w/ Pressure Transducer
GVPP1	Gas	1"	1" Gas Solenoid Valve Assembly w/ Pressure Transducer
GVPP114	Gas	1 1/4"	1 1/4" Gas Solenoid Valve Assembly w/ Pressure Transducer
GVPP112	Gas	1 1/2"	1 1/2" Gas Solenoid Valve Assembly w/ Pressure Transducer

*FLUSH MOUNT ENCLOSURE TYPE NOT AVAILABLE FOR GAS VALVES 1 1/4" AND UP. ORDER WALL MOUNT TYPE AND RECESS INTO WALL.

WATER SOLENOID ASSEMBLIES			
Code	Medium	Size (NPT)	Description
SV12	Water	1/2"	1/2" Water Solenoid Valve Assembly
SV34	Water	3/4"	3/4" Water Solenoid Valve Assembly
SV1	Water	1"	1" Water Solenoid Valve Assembly
SV114	Water	1 1/4"	1 1/4" Water Solenoid Valve Assembly
SV112	Water	1 1/2"	1 1/2" Water Solenoid Valve Assembly
SV2	Water	2"	2" Water Solenoid Valve Assembly

COMPRESSED AIR SOLENOID VALVE ASSEMBLIES			
Code	Medium	Size (NPT)	Description
CA12	Compressed Air	1/2"	1/2" CA Solenoid Valve Assembly
CA34	Compressed Air	3/4"	3/4" CA Solenoid Valve Assembly
CA1	Compressed Air	1"	1" CA Solenoid Valve Assembly
CA114	Compressed Air	1 1/4"	1 1/4" CA Solenoid Valve Assembly
CA112	Compressed Air	1 1/2"	1 1/2" CA Solenoid Valve Assembly
CA2	Compressed Air	2"	2" CA Solenoid Valve Assembly

BALL VALVE ASSEMBLIES			
Code	Medium	Size (NPT)	Description
WBV12	Water	1/2"	1/2" Water Ball Valve Assembly
WBV34	Water	3/4"	3/4" Water Ball Valve Assembly
WBV1	Water	1"	1" Water Ball Valve Assembly
WBV114	Water	1 1/4"	1 1/4" Water Ball Valve Assembly
WBV112	Water	1 1/2"	1 1/2" Water Ball Valve Assembly
WBV2	Water	2"	2" Water Ball Valve Assembly
GBV12	Gas	1/2"	1/2" Gas Ball Valve Assembly
GBV34	Gas	3/4"	3/4" Gas Ball Valve Assembly
GBV1	Gas	1"	1" Gas Ball Valve Assembly
GBV114	Gas	1 1/4"	1 1/4" Gas Ball Valve Assembly
GBV112	Gas	1 1/2"	1 1/2" Gas Ball Valve Assembly
GBV2	Gas	2"	2" Gas Ball Valve Assembly

Specialty Gases: For other mediums such as oxygen, acetylene, argon, C25, and CO2, use SV**S
Example: SV12S - 1/2" Specialty Valve - Write in assembly details on Pg. 1

FIND OUT MORE

info@americangassafety.com
 (727)-608-4375

PROVIDING SAFETY & CONTROLS IN

- SCIENCE LABORATORIES • BOILER ROOMS • GAS FEATURES
- COMMERCIAL KITCHENS • PARKING GARAGES • EMS STATIONS

Enclosure Selectors

ENCLOSURE SELECTORS	
ENCLOSURE MOUNT TYPE	
FM	Flush Mount Style
WM	Semi Recessed or Wall Mount
ENCLOSURE FINISH	
PC	Powder Coated Light Grey
SS	Stainless Steel
LATCH TYPE	
QT	Quarter Turn
KL	Key Lock
PIPE ENTRY	
GROM	Air and Liquid Tight Grommets
BH	Air Tight Bulkheads

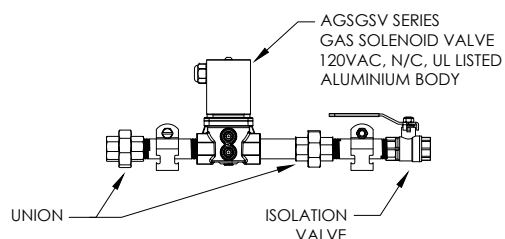
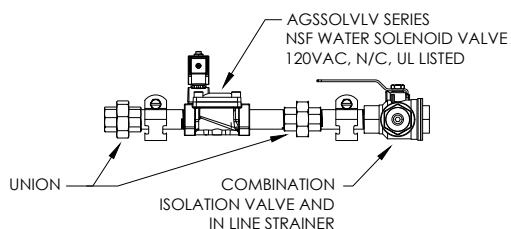
Typical Enclosure Sizes (Final Selected Size on Pg. 1)

POWDER COATED Enclosure Dimensions for 1/2" - 1" Pipe			
FLUSH MOUNT STYLE			
	1 VALVE	2 VALVE	3 VALVE
HEIGHT	20	20	20
WIDTH	16	16	20
DEPTH	6	6	6
WALL MOUNT ENCLOSURE SIZES			
	1 VALVE	2 VALVE	3 VALVE
HEIGHT	20	20	20
WIDTH	16	16	20
DEPTH	6	6	6

POWDER COATED Enclosure for 1 1/4" - 1 1/2" Pipe (Without Gas)			
FLUSH MOUNT STYLE			
	1 VALVE	2 VALVE	3 VALVE
HEIGHT	20	20	20
WIDTH	16	16	20
DEPTH	6	6	6
WALL MOUNT STYLE			
	1 VALVE	2 VALVE	3 VALVE
HEIGHT	20	20	20
WIDTH	16	16	20
DEPTH	6	6	6

POWDER COATED Enclosure for 1 1/4" - 1 1/2" Pipe (With Gas)			
WALL MOUNT STYLE			
	1 VALVE	2 VALVE	3 VALVE
HEIGHT	24	20	20
WIDTH	12	16	20
DEPTH	10	10	10

Valve Assembly Drawings:



PURCHASE AGREEMENT SIGNATURE:

BY SIGNING THIS FORM YOU AGREE TO OUR POLICY FOR NON-CANCELABLE AND NON-RETURNABLE PRODUCT AGREEMENT. THE PRODUCTS DESCRIBED WITHIN THIS FORM AND THE QUANTITY REQUIRED BY THE PURCHASE ORDER LISTED BELOW HAVE BEEN QUOTED AS NON-CANCELABLE AND NON-RETURNABLE. ONCE THE PURCHASE ORDER HAS BEEN RECEIVED BY AMERICAN GAS SAFETY, LLC AND PRODUCT BEGINS, THIS AGREEMENT SHALL BE BINDING.

CUSTOMER NAME (PRINT) _____

CUSTOMER SIGNATURE _____

DATE _____

PO# _____

PROVIDING SAFETY & CONTROLS IN

- SCIENCE LABORATORIES
- COMMERCIAL KITCHENS

FIND OUT MORE

info@americangassafety.com
(727)-608-4375

