

# AGSFAM1 Spec Sheet

## Gas Service Manual Reset Controller

**DESIGNED TO HELP MEET CODE  
 & PROVIDE CONVENIENCE**



120V  
 Power Input



Auto Reset Option  
 Following Power  
 Cut/Failure



Valve Isolation  
 Capabilities (With  
 AGS Supplied  
 Valve)



BMS/BAS  
 Communications



Fire Panel &  
 Panic Button  
 Connectivity



Dry Alarm  
 Relay



Simple & Quick  
 Setup



In-Built  
 Audible Alarm

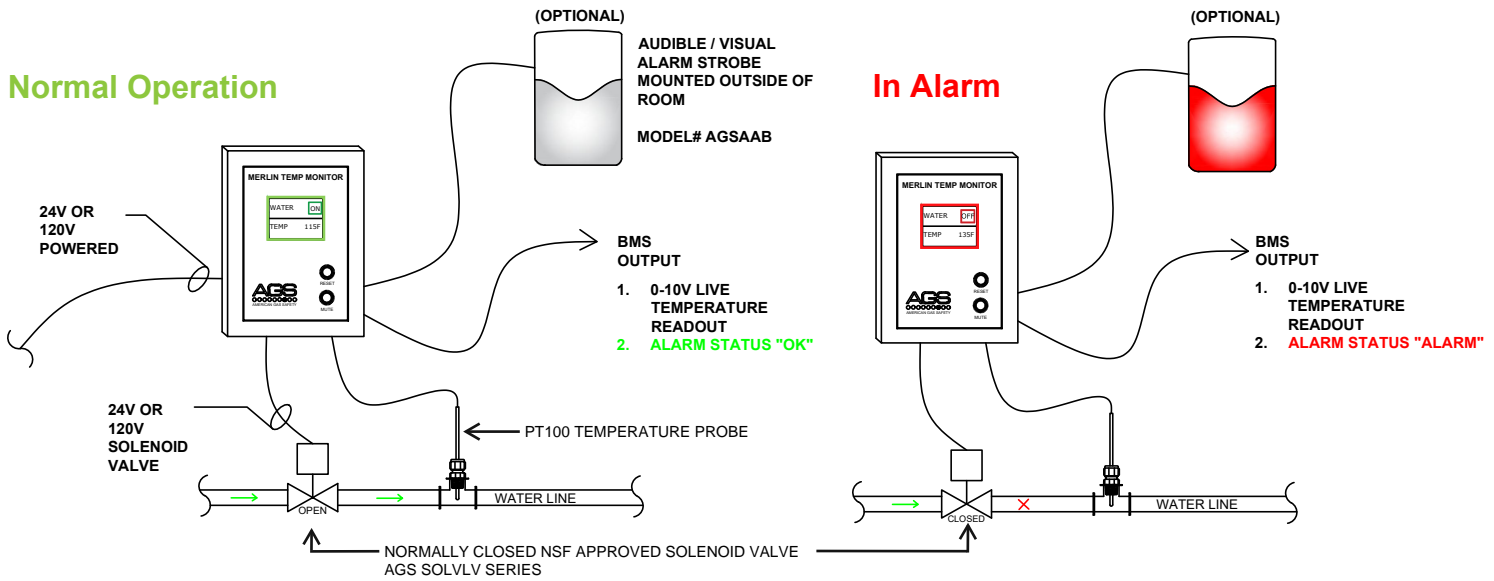
## Product Overview

The AGS Water Temperature Monitor WTM is a carefully designed device that functions by monitoring and controlling the temperature of water in various applications. It is designed to be used in health care facilities, where it can help ensure that the water supply system is safe and reliable. The WTM features a simple user interface that allows for easy programming of minimum and maximum temperature settings, which can be adjusted via internal switches and fascia controls upon installation. When the temperature falls outside of these settings, an audible alarm will sound, and the water supply will be turned off until the issue is resolved. The AGS WTM includes a manual reset button on the front fascia that can be used to clear any alarm conditions and continue normal operation. The WTM also features a colored display that provides a continuous readout of the current temperature reading. Additionally, the WTM provides an adaptable relays and 0-10V output that can be tied into any Building Management System (BMS) for remote monitoring and control.

## Technical Specifications

General	
Size: (H x W x D)	5.95 x 4.37 x 1.97" (151 x 111 x 50mm)
Housing Material:	ABS PA765 (Flame Rating UL94 V-1)
Mounting:	Wall/Surface Mounted. Indoor use only – Outdoor using weatherproof cover.
Display:	1.8" Color Display
Visual Indicators:	Power On LED
Audible Buzzer:	60dB @ 3.28ft (1m). Quiet conditions
Buttons:	Up, Down, OK, Reset, Mute
Power Consumption:	Power Consumption:
Power Input #1:	100-120V~ 50-60Hz
Power Input #2:	24VAC
Internal Fuse:	Anti-Surge 3.15A @ 250Vac
BMS dry contact:	3A @ 110V~
Relays:	One Relay - 3A @ 110V~
Operating:	-20 ~ 50°C / 14 ~ 122°F 20 ~ 95% RH (non-condensing)
Typical:	Min. 18AWG / 75°C min / Tinned copper.
Electrical Safety:	CE / UKCA / IEC BS EN 61010-1

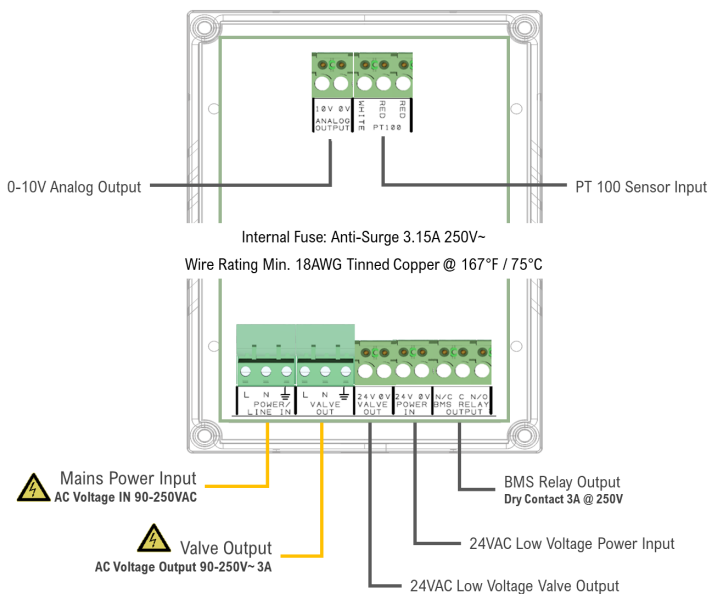
## Typical Setup



## Water Solenoid Valves Available

Valve Size " (inch) NPT	AGS Part Number
1/2"	SOLVLV12
3/4"	SOLVLV34
1"	SOLVLV1
1+1/4"	SOLVLV114
1+1/2"	SOLVLV112
2"	SOLVLV2

## Circuit Board Overview



## Code Requirements

### Wisconsin Code

#### SPS 382.50 Health Care & Related Facilities

(b) 5. Water provided to patient showers, therapeutic equipment and all types of baths shall be installed with control valves which automatically regulate the temperature of the water supply to the fixture fitting outlet within a temperature range of 110°F to 115°F. Such control valves shall automatically reduce flow to 0.5 gpm or less when the water supply to the fitting outlet exceeds 115°F or when loss of cold water pressure occurs.

### California Code

#### 613.5 – Domestic Hot-Water Distribution Systems for Health Facilities and Clinics

Temperature control valves shall be provided to automatically regulate the temperature of hot water delivered to plumbing fixtures used by patients to a range of 105°F (41°C) minimum to 120°F (49°C) maximum. High temperature alarm set at 125°F (52°C) shall be provided. The audible/visual device for the high temperature alarm shall annunciate at a continuously occupied location.

Find out more

**American Gas Safety LLC**

[www.americangassafety.com](http://www.americangassafety.com)

Head office:

6304 Benjamin Road, Suite 502, Tampa, FL 33634

Tel: (727) 608-4375

Email: [info@americangassafety.com](mailto:info@americangassafety.com)

