

AGS Merlin Datasheet

NPT Gas Solenoid Valves
 Normally Closed
 0-2PSI / 0-5PSI / 120VAC



120VAC Power Input



UL Listed



Normally Closed Safety Shutoff



1/2" to 3" NPT Available For This Model
 Various Other Sizes Also Available

Standards



Product Overview

AGS gas solenoid valves control the flow of natural and LP (liquefied petroleum) gases and are most commonly used in with our range of utility controllers and gas detection systems. Popular applications are science laboratories, commercial kitchens, boiler rooms & decorative gas features.

Sizes Available

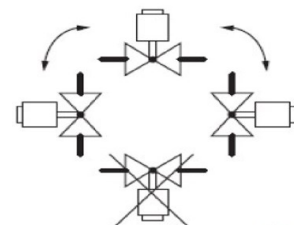
Valve Size " (inch) NPT	AGS Part Number 0-2PSI	AGS Part Number 0-5PSI
1/2"	MERLIN1015*	MERLIN1106**
3/4"	MERLIN1023	MERLIN1114
1"	MERLIN1031	MERLIN1122
1+1/4"	MERLIN1049	MERLIN1130
1+1/2"	MERLIN1056	MERLIN1148
2"	MERLIN1064	MERLIN1155
2 1/2"	MERLIN1072	N/A
3"	MERLIN1080	N/A

**Not to be used with the gas pressure transducer

Approvals

UL YLOZ Automatic Shut Off Valves
 AGA & CGS C20300014
 Complies with ANSI Z21.21-CGA6.5
 FM CSD-1 Acceptable

Mounting Position



WARNING

If the flow is not in the same direction of arrow, valve may not shut off.

Technical Information:

Maximum Pressure:

Voltage / Frequency	Maximum Pressure (PSI)	Pipe Size (Inch)
110/120 Vac, 50/60 Hz	2.0	1/2, 3/4, 1, 1-1/4, 1 1/2, 2, 2-1/2, 3
110/120 Vac, 50/60 Hz	5.0	1/2, 3/4, 1, 1-1/4, 1 1/2, 2

Current Draw

Pipe Size (Inch)	120Vac / 2PSI	120Vac / 5PSI
1/2"	0.160A	0.160A
3/4" & 1"	0.160A	0.200A
1-1/4"	0.340A	0.550A
1-1/2"	0.300A	0.550A
2"	0.525A	0.540A
2-1/2"	0.575A	N/A
3"	0.575A	N/A

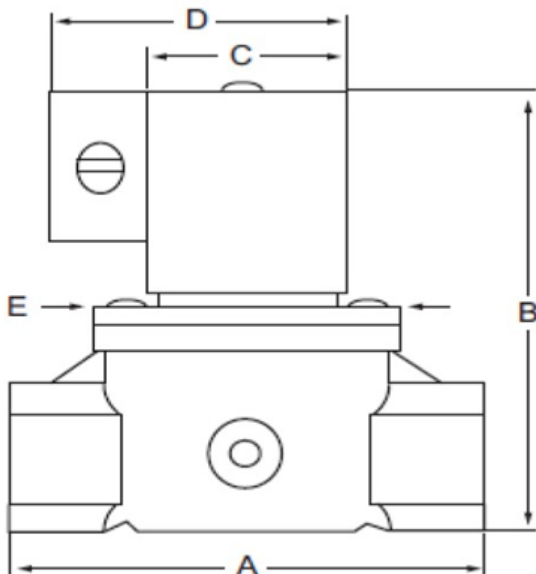
Capacity

CFH at Pressure Drop of 1-Inch Water Column sp. gr.=0.64

Pipe Size (Inch)	120Vac / 2PSI	120Vac / 5PSI
1/2"	250	290
3/4"	645	610
1"	790	825
1-1/4"	1,450	1,950
1-1/2"	2,190	2,270
2"	3,465	3,740
2-1/2"	5,070	N/A
3"	6,100	N/A

Dimensions

Pipe Size (Inch)	A	B	C	D	E
1/2"	2-7/8	4-7/16	2-3/16	3-3/4	2-3/16
3/4"	3-7/16	5-1/4	2-3/16	3-3/4	2-3/4
1"	3-15/16	5-1/4	2-3/16	3-3/4	3
1-1/4"	5-15/16	8	2-1/2	4-1/16	4-3/8
1-1/2"	5-15/16	8-3/8	3-3/8	4-15/16	4-3/8
2"	6-11/16	8-3/8	3-3/8	4-15/16	5-3/8
2-1/2"	9-1/2	12-3/4	4-9/16	6-1/8	7-7/8
3"	9-1/2	12-3/4	4-9/16	6-1/8	7-7/8



Find out more

American Gas Safety LLC

www.americangassafety.com

Head office:

6304 Benjamin Road, Suite 502, Tampa, FL 33634

Tel: (727) 608-4375

Email: info@americangassafety.com

