

# AGS

AMERICAN GAS SAFETY



## AGSCONENC Datasheet

### Enclosures For Electrical Contactors



### Product Overview

Designed for general purpose indoor commercial use to enclose electrical contactors or transformers. The hinged cover with latch provides easy access during installation and maintenance.

### Standards



UL50

CSA TYPE 1

COMPLIES WITH NEMA TYPE 1

IEC 60529, IP20

### Construction

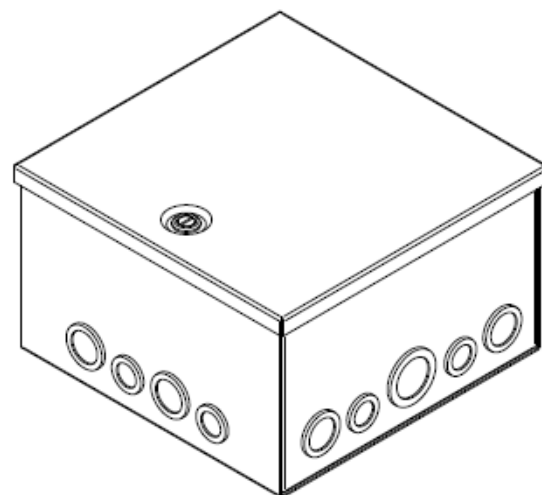
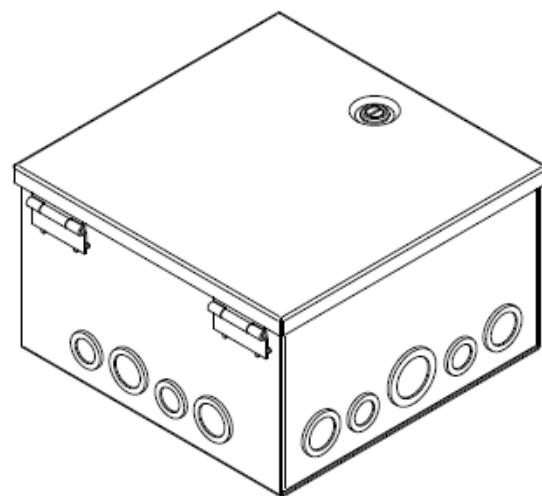
- ✓ Formed and spot welded from 16 or 14 gauge steel depending on size.
- ✓ Formed steel covers close by use of slotted quarter turn latch.
- ✓ Full swing door using butt hinges.
- ✓ Easily removed knockouts on all 4 sides (see drawings for sizes and locations)
- ✓ Through holes in back for wall mounting.
- ✓ Grounding location embossed in body.

### Finish

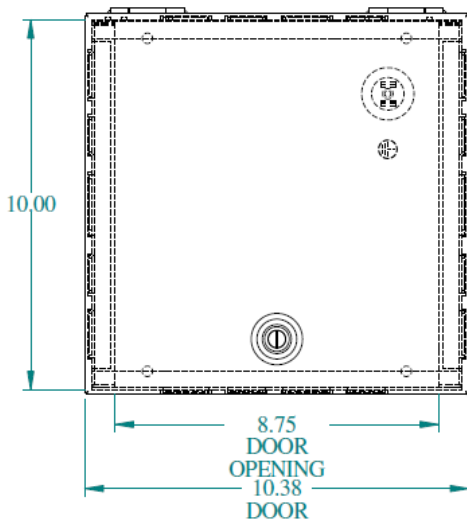
- ✓ Enclosure and cover are finished in ANSI 61 gray powder coating.

### Accessories

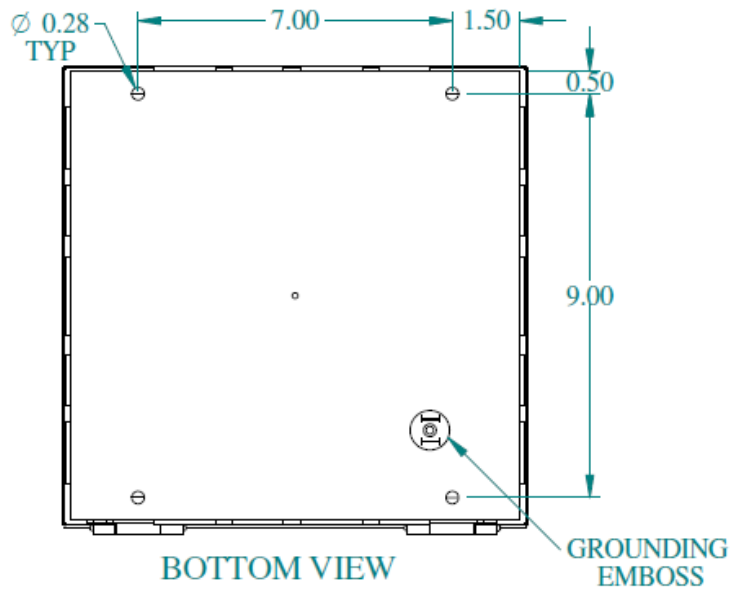
- ✓ Type 1 lock kit



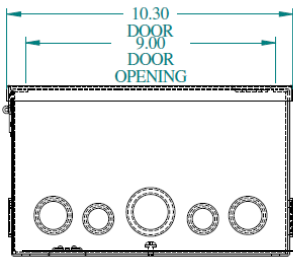
**Example Product Dimensions (AGSCONENC10106)**



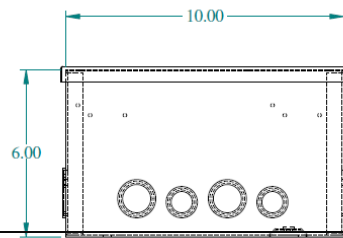
TOP VIEW



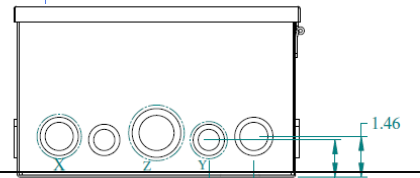
BOTTOM VIEW



SIDE VIEW



FRONT VIEW



SIDE VIEW

Part Numbers	Length	Width	Depth	Shipping Weight (lbs)
AGSCONENC10104	10.00 inch	10.00 inch	4.00 inch	7lbs
AGSCONENC10106	10.00 inch	10.00 inch	6.00 inch	8lbs
AGSCONENC12124	12.00 inch	12.00 inch	4.00 inch	9lbs
AGSCONENC16166	16.00 inch	16.00 inch	6.00 inch	12lbs

Find out more

**American Gas Safety LLC**

[www.americangassafety.com](http://www.americangassafety.com)

Head office:

6304 Benjamin Road, Suite 502, Tampa, FL 33634

Tel: (727) 608-4375

Email: [info@americangassafety.com](mailto:info@americangassafety.com)

