

AGS

AMERICAN GAS SAFETY

UL US LISTED

AGS1000S+i Datasheet

Dual Output Utility Controller



UL 61010 Listed
Controller



Clear LEDs Display
System Indications



Keyed ON/OFF
Authority Over
Utilities



BMS & Fire Panel
Connectivity



QR Code For
Quick Access
To Product
Information



Automatic Emergency
Utility Shutdown In
Alarm



Front Mounted
Panic Button For
Quick Shutdown



Automatic Time-Out
Feature (Disabled, 2, 4
or 8 hours)

Product Overview

The UL 61010 listed Merlin 1000S+i Laboratory Utility Controller has been designed specifically for use in School and University Laboratories. The Merlin 1000S+i is designed to give the teacher full control over the incoming gas supply with the lockable key-switch operation & touch buttons. In built connectivity allows for connection to existing fire alarm and building management systems and with its easy to use system status panel and labeled PCB the Merlin 1000S+i is easy to install and to operate.

The Merlin 1000S+i can work in conjunction with carbon dioxide, natural gas, carbon monoxide and LPG sensors. The Merlin 1000S+i also has a built in "timeout" facility which will automatically shut off the gas solenoid valve at the end of a specific time period, this time period can be adjusted to 2, 4, 8 hours or can be overridden if required.

Popular Applications:

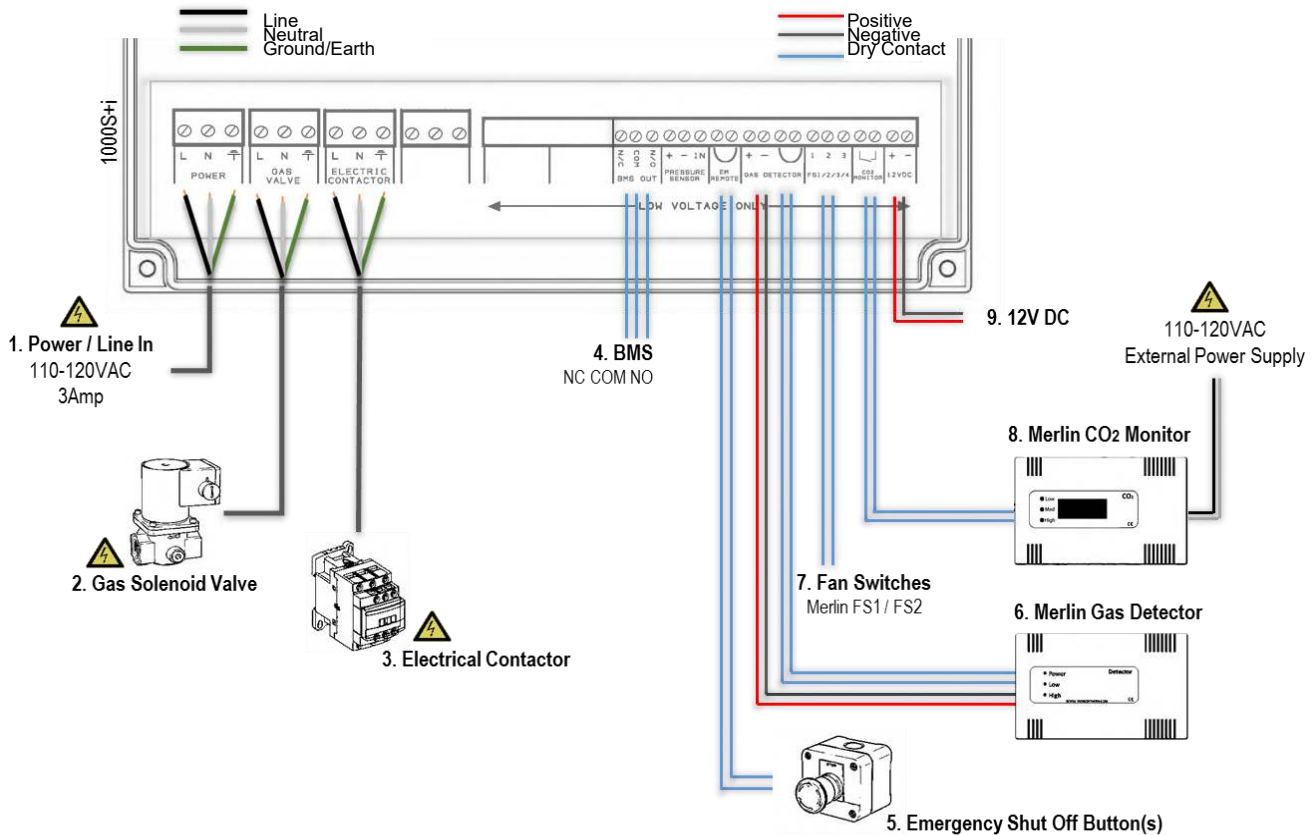
- ✓ K-12 and Higher Education Science Classrooms
- ✓ Automatic Isolation Of Gas Supply Upon Gas Detection, Fire Alarm or Emergency Panic Button Activation
- ✓ Designed to meet NSTA guidelines & ICC Code.
- ✓ Keyed Utility Control with Emergency Shutdown



Product Specifications

Model:	Merlin 1000S+i
Visual Indication	LED
Mains Electrical Power Input	110-120VAC
Utility Output 1	110-120VAC
Utility Output 2	110-120VAC
Current Consumption	12W max (50mA) @ 120VAC
Internal Fuse	3.15A
Utility Outputs 1 & 2	3.15A
Operating Temperature	32 - 104°F 0-95%RH Non-Condensing
Audible Alarm Buzzer dB	65 dB (300mm distance in quiet conditions)
Housing Material	Polylac PA-765 Flame Retardant
Flame Rating	UL 94
UL Approval Reference	UL 61010-1 E464760
O/All Dimensions (H x W x D) inch	7.08 x 10 x 3.03"
Language:	English

Merlin 1000S+i Wiring Example



Find out more

American Gas Safety LLC

www.americangassafety.com

Head office:

6304 Benjamin Road, Suite 502, Tampa, FL 33634

Tel: (727) 608-4375

Email: info@americangassafety.com

