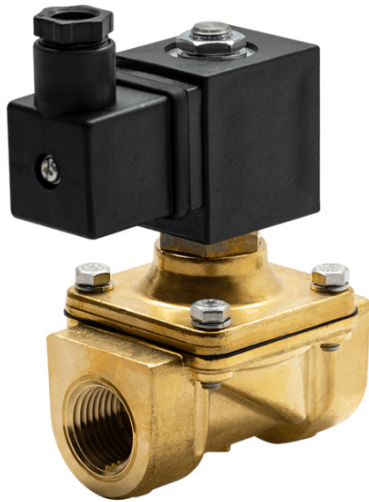


## SOLVLV-Y Datasheet

2-Way, Internally Piloted  
1/2" - 1 1/2" NPT



120VAC or  
24VAC



UL Listed



Compressed Air  
Hydrogen  
Oxygen  
Nitrogen  
Light Oils



1/2" to 1 1/2" NPT  
Available For This  
Model Various Other  
Sizes Also Available

### Standards



### Product Overview

AGS SOLVLV-Y solenoid valves are normally closed (N/C) and constructed with a durable brass body, two-way inlet and outlet ports. This series of solenoid valves have been designed to control air, inert gas & water. Examples include: Compressed Air, Oxygen, Nitrogen, Hydrogen, Propane, & Methane.

### Sizes Available

Valve Size " (inch) NPT	AGS Part Number
1/2"	SOLVLV-Y-12
3/4"	SOLVLV-Y-34
1"	SOLVLV-Y-1
1+1/4"	SOLVLV-Y-114
1+1/2"	SOLVLV-Y-112

### Construction

Body / Orifice	Brass
Connector	Cable Grip DIN
Seal	NBR
Orientation	Normally Closed
Temperature Range	-4 to 194°F
Coil Rating	Nema 4 IP65

ADD -C For Oxygen Cleaning Service

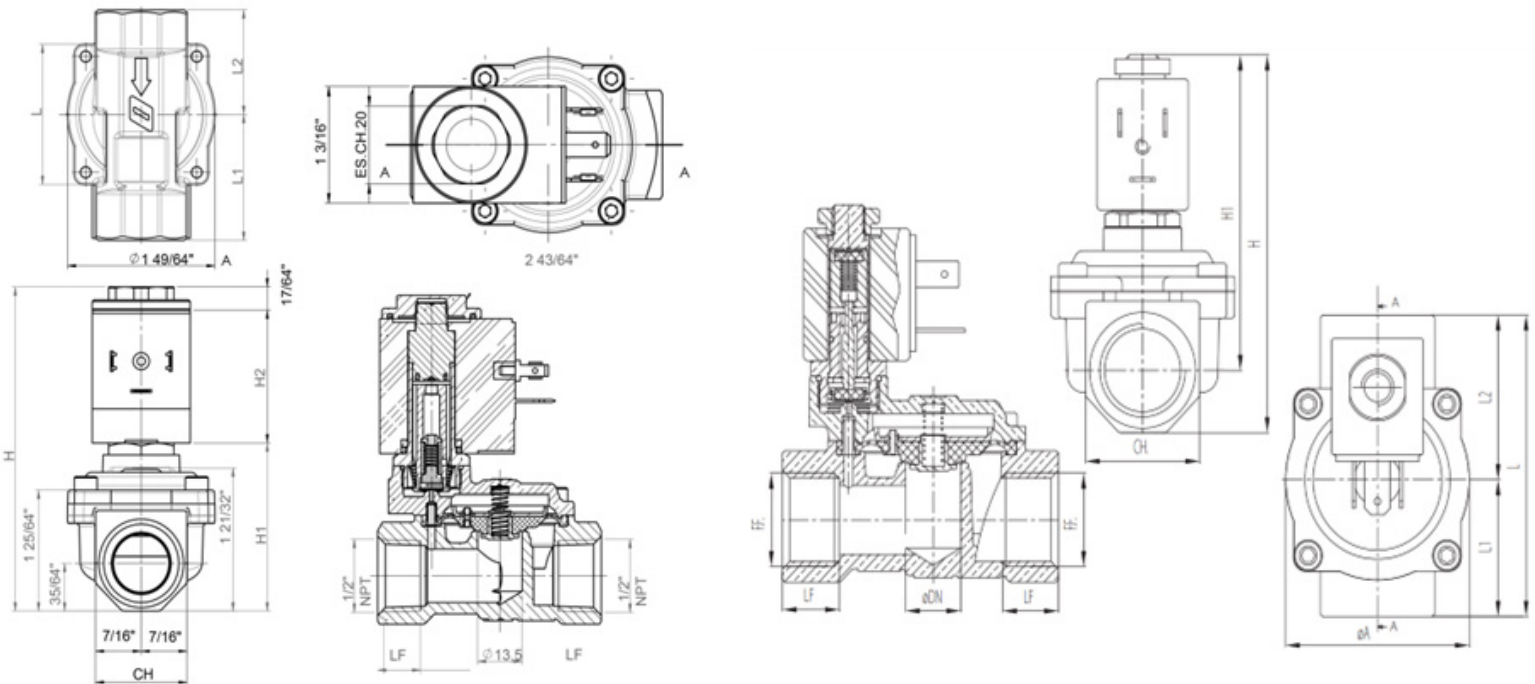
### Technical Specifications

	NC-Y-12	NC-Y-34	NC-Y-1	NC-Y-114	NC-Y-112	NC-Y-12 -24VAC	NC-Y-34 -24VAC	NC-Y-1- 24VAC	NC-Y-114 -24VAC	NC-Y-112 -24VAC
Size	1/2"	3/4"	1"	1 1/4"	1 1/2"	1/2"	3/4"	1"	1 1/4"	1 1/2"
Orifice	13	18	26	32	45	13	18	26	32	45
Voltage	120VAC	120VAC	120VAC	120VAC	120VAC	24VAC	24VAC	24VAC	24VAC	24VAC
Power	17VA	17VA	17VA	17VA	17VA	17VA	17VA	17VA	17VA	17VA
CV	4	6.72	11	14.5	35.9	4	6.72	11	14.5	35.9
Min. Pre	1.5PSI	3PSI	3PSI	6PSI	6PSI	1.5PSI	3PSI	3PSI	6PSI	6PSI
Max. Pre	217PSI	217PSI	174PSI	174PSI	145PSI	217PSI	217PSI	174PSI	174PSI	145PSI

\*\*Normally Open Versions Offers Same Specification

## Valve Dimensions

F.F	1/2"	3/4"	1"	F.F	1 1/4"	1 1/2"
DN	17/32"	45/64"	1"	DN	1 1/4"	1 3/4"
LF	33/64"	33/64"	19/32"	LF	4 3/8"	5 7/16"
L1	1 29/64"	1 61/64"	1 61/64"	L1	2 1/4"	2 13/16"
L2	1 13/64"	1 23/32"	1 23/32"	L2	2 1/8"	2 5/8"
Dia A	1 49/64"	2 51/64"	2 51/64"	Dia A	3 7/16"	4 5/16"
L	1 5/8"	2 21/32"	2 21/32"	LF	7/8"	7/8"
H1	1 15/16"	2 23/32"	2 23/32"	H1	4"	4 5/16"
H2	1 17/32"	1 17/32"	1 17/32"	H	5"	5 1/2"
H	3 3/4"	4 17/32"	4 17/32"	CH	2 1/16"	2 7/16"
CH	1 7/64"	1 21/32"	1 21/32"			



Note: The valve pictured above is with a simple coil, which may or may not reflect the exact specifications of the this particular build.

Find out more

**American Gas Safety LLC**

[www.americangassafety.com](http://www.americangassafety.com)

Head office:

6304 Benjamin Road, Suite 502, Tampa, FL 33634

Tel: (727) 608-4375

Email: [info@americangassafety.com](mailto:info@americangassafety.com)

