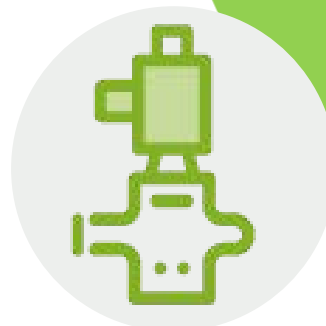


# AGSGSV4 Datasheet

4" Flanged Gas Solenoid Valve  
 2-Way, Fluid Power Actuator, Normally  
 Closed, 0-3PSI / 120VAC



120VAC Power  
 Input



UL Listed



Normally Closed  
 Safety Shutoff



Various Other  
 Sizes Also Over  
 Available

## Standards



## Product Overview

AGS gas solenoid valves control the flow of natural and LP (liquefied petroleum) gases and are most commonly used in with our range of utility controllers and gas detection systems. Designed for ON/OFF service.

## Technical Specification

Pipe Size	*Max Operating Pressure Differential	**Max. Rated Pressure
4" Flanged	3 PSI	15PSI

\*Max Operating Pressure Differential (UL) allowable pressure drop from inlet to output for proper operation.

\*\*Max. Rated Pressure that the valve can be exposed to without leakage or damage to the valve.

Cf/h	Cu m/hr
10200	288.8

Voltage	Inrush	Wattage	Amperage	VA
120VAC / 60Hz	3.9	50.0	0.94	115

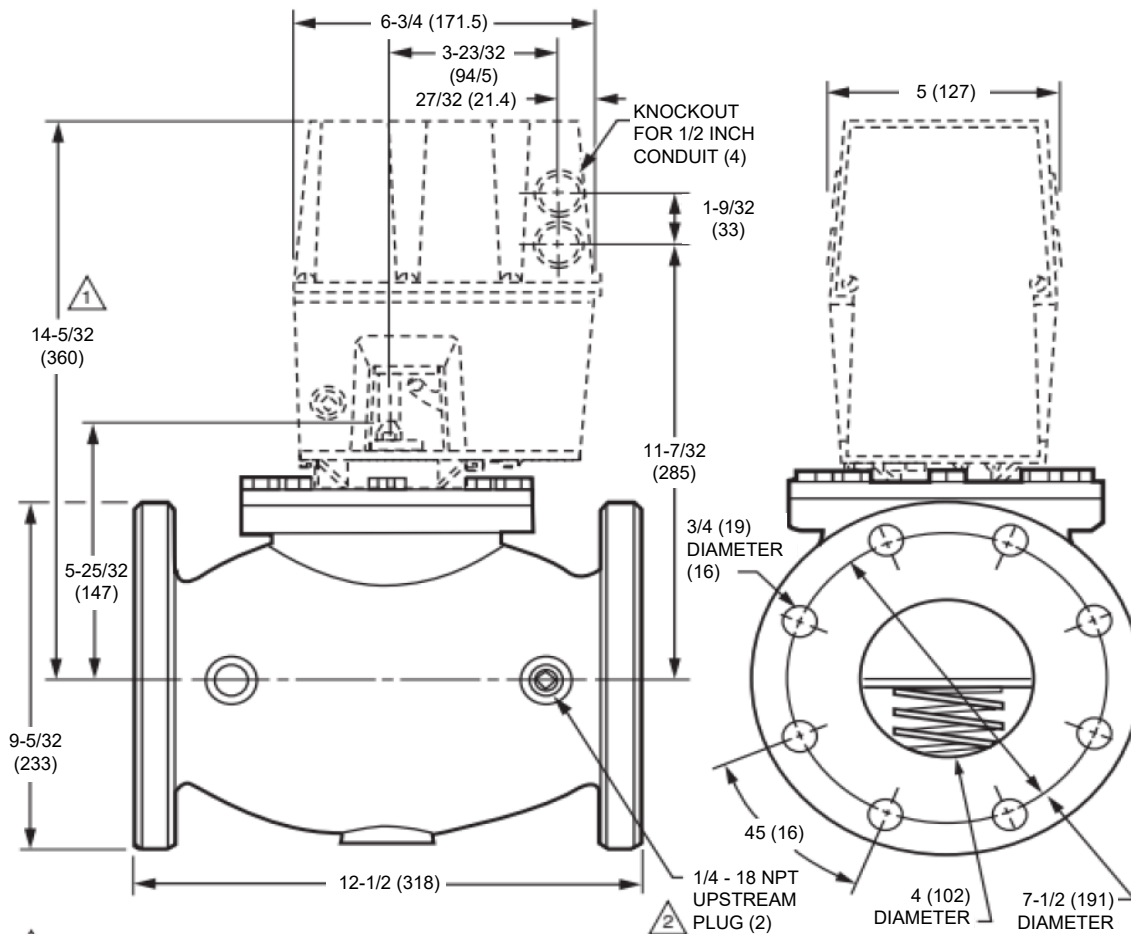
Nominal Opening Time	Closing Time
16 Seconds at 50Hz	One Second Maximum



### WARNING

If the flow is not in the same direction of arrow, valve may not shut off.

## Dimensions:



- 1** ALLOW 2IN. CLEARANCE ABOVE SO IT MAY BE REMOVED FROM VALVE
- 2** DIMENSIONS ON DIN-APPROVED VALVES: 1/4 - 19 BSP.PL UPSTREAM PLUG (2), .71 IN DIAMETER BOLT HOLE (16), 7.087 IN DIAMETER BOLT CIRCLE.

## Features:

Ambient temperature rating is -40°F to +150°F (-40°C to +66°C) Valve and actuator combinations can be mounted in any position.

Factory installed single pole double throw (SPDT) field adjustable Auxiliary Switch.  
 Standard enclosure meets NEMA1 (IP30) requirements; models available with NEMA4 (IP54) weatherproof enclosure.  
 Valve seal overtravel interlock (double seal) to meet specific code, standard and insurer requirements.  
 Red OPEN indicator attached to actuator stem with Yellow SHUT indicator shows fully CLOSED.

Aux. Switch and Proof-of-Closure Switch Ratings. (1/2 hp (0.37kW)).

Load	120V	240V
Full Load	9.8A	4.9A
Locked Rotor	58.8A	29.4A

Find out more

**American Gas Safety LLC**

[www.americangassafety.com](http://www.americangassafety.com)

Head office:

6304 Benjamin Road, Suite 502, Tampa, FL 33634

Tel: (727) 608-4375

Email: [info@americangassafety.com](mailto:info@americangassafety.com)

