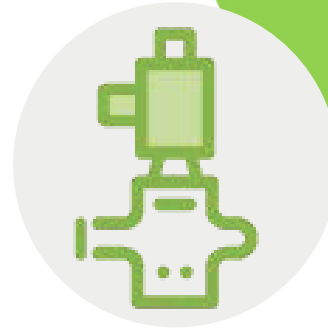
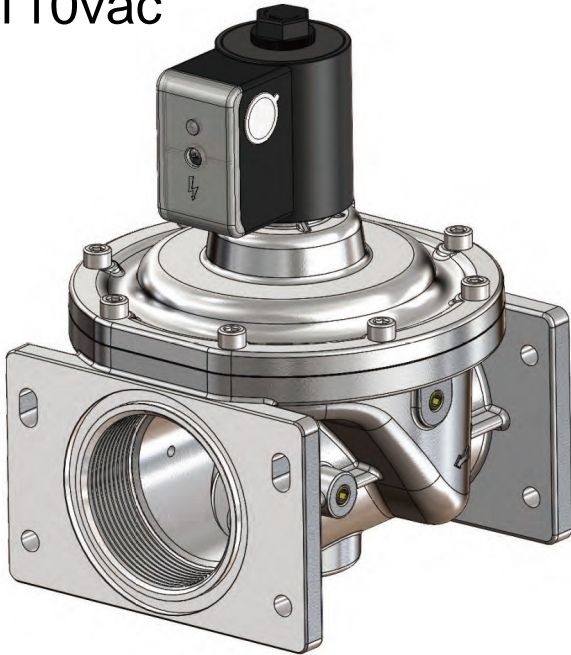


# AGS-GSV212 AGS-GSV3

Gas Solenoid Valves  
 Normally Closed  
 110vac



110VAC Power Input



Screwed NPT



Normally Closed Safety Shutoff



2 1/2inch  
 3inch

## Standards / Compliance



## Product Overview

The AGS-GSV212 & AGS-GSV3 are normally closed, electrically operated gas valves providing safety shut down over combustible gas such as natural (Methane) and LP (Liquefied petroleum). This gas solenoid valve is compatible with screwed piping.

Suitable for CSD-1 applications along with on/off control on water heaters, atmospheric boilers, roof top make up air units, power burners and commercial kitchen ranges.

Add manual re-set by incorporating an AGS controller or panic button.

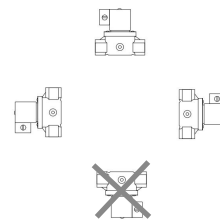
## Features

- Zero Differential
- 0-7 PSI Max Working Pressure
- 110V AC
- 1/8" NPT Inlet & Outlet Ports
- Body: Die Cast Aluminum
- Max Temp: 140°F
- Min Temp: 5°F

## Approvals

Automatic Shut Off Valves Complies with:  
 UL YLOZ  
 AGA  
 CSA/ANSI Z21.21-CGA6.5 FM  
 CSD-1 Acceptable

## Mounting Position



Metal shoe construction of the diaphragm allows for vertical installation, with less damage from debris and over pressure.



### WARNING

If the flow is not in the same direction of arrow, valve may not shut off.

## Outdoor Installation

The GSV212 and GSV3 are weatherproof if installed with the coil in a vertical position

## Technical Information

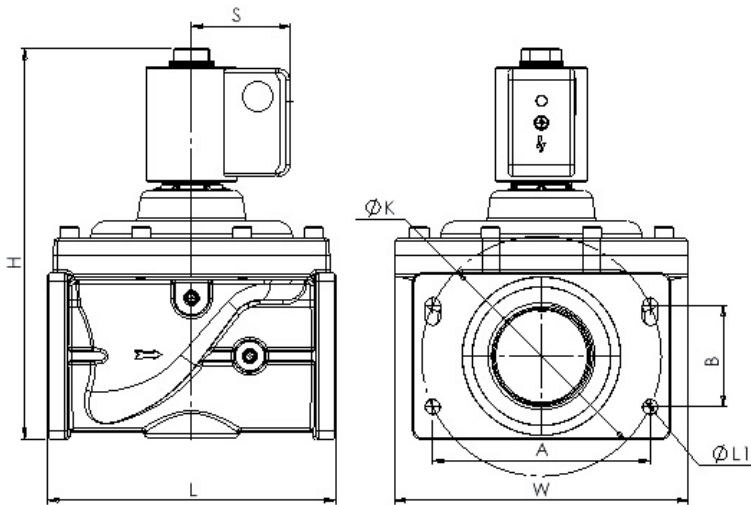
### General

Opening time:	<1 second
Closing time:	<1 second
Maximum working pressure:	7PSI (195 in w.c.)
Protection level:	IP54 (nema 3S)
Ambient / fluid temperature:	5 to 140°F
Coil temperature:	139°F
Body connections:	NPT
Seal material:	NBR rubber
Body material:	Aluminum
Spring material:	AISI 302 stainless steel

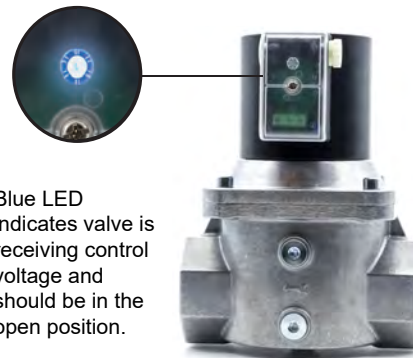
### Electrical Specification

Voltage:	110/120V AC
Rating:	50/60 Hz
Coil level F:	360° rotation
Suitable for:	Permanent

## Dimensions



### Power LED Indicator



Blue LED indicates valve is receiving control voltage and should be in the open position.

### NPT Screwed Connections

Model	T	L	H	W	S
AGS-GSV212	2-1/2 NPT	7.8"	10.57"	7.95"	2.67"
AGS-GSV3	3 NPT	7.8"	10.57"	7.95"	2.67"

### Capacity

CFH at Pressure Drop of 1-Inch Water Column sp. gr.=0.64

Pipe Size (Inch)	110Vac / 2PSI
2.5"	4,000
3"	4,250

Model	T	K	L1	A	B
AGS-GSV212	2-1/2"	6.5"	0.41"	7.95"	2.67"
AGS-GSV3	3"	7.8"	0.41"	7.95"	2.67"

Find out more

**American Gas Safety LLC**

[www.americangassafety.com](http://www.americangassafety.com)

Head office:

6304 Benjamin Road, Suite 502, Tampa, FL 33634

Tel: (727) 608-4375

Email: [info@americangassafety.com](mailto:info@americangassafety.com)

