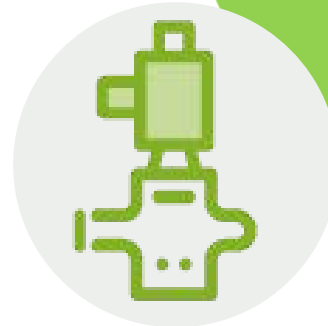


# AGSGSV

## NPT Gas Solenoid Valves Normally Closed Safety Shut Off



120VAC Power Input



UL Listed



Normally Closed Safety Shutoff



1/2" to 2" NPT Available For This Model  
 Various Other Sizes Also Available

### Standards



## Product Overview

The AGS range of normally closed, electrically operated gas valves provide safety shut down over combustible gas such as natural (Methane) and LP (Liquefied petroleum).

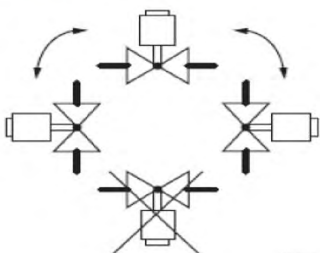
These valves are suitable for CSD-1 applications along with on/off control on water heaters, atmospheric boilers, roof top make up air units, power burners and commercial kitchen ranges.

Add manual re-set by incorporating an AGS control or panic button.

## Features

- Zero Differential
- 0-5 PSI Max Working Pressure
- 110V AC
- 1/4" Inlet & Outlet Ports
- Visual Power Indication
- Body: Die Cast Aluminum
- Max Temp: 140F
- Min Temp: 5F

## Mounting Position



Metal shoe construction of the diaphragm allows for vertical installation, with less damage from debris and over pressure.



**WARNING**  
 If the flow is not in the same direction of arrow, valve may not shut off.

## Sizes Available

Valve Size " (inch) NPT	AGS Part Number 0-5PSI
1/2"	AGS-GSV12
3/4"	AGS-GSV34
1"	AGS-GSV1
1+1/4"	AGS-GSV114
1+1/2"	AGS-GSV112
2"	AGS-GSV2

## Power LED Indicator



Blue LED indicates valve is receiving control voltage and should be in the open position.



## Approvals

UL YLOZ Automatic Shut Off Valves  
 File MH64653  
 Complies with:  
 AGA  
 CSA/ANSI Z21.21-CGA6.5 FM  
 CSD-1 Acceptable



## Technical Information:

### Current Draw

Pipe Size (Inch)	110Vac / 5PSI
1/2" - 3/4" - 1"	0.160A
1+1/4"	0.160A
1+1/2"	0.35A
2"	0.41A

### Capacity

CFH at Pressure Drop of 1-Inch Water Column.

Size	M3/per/Hr	CFH	BTU/hr
<b>0-5PSI</b>			
1/2"	6.4	226	226,014
3/4"	14.8	523	522,657
1"	16.7	590	589,755
1+1/4"	38.5	1,360	1,369,615
1+1/2"	47.1	1,663	1,663,320
2"	66.7	2,355	2,355,488

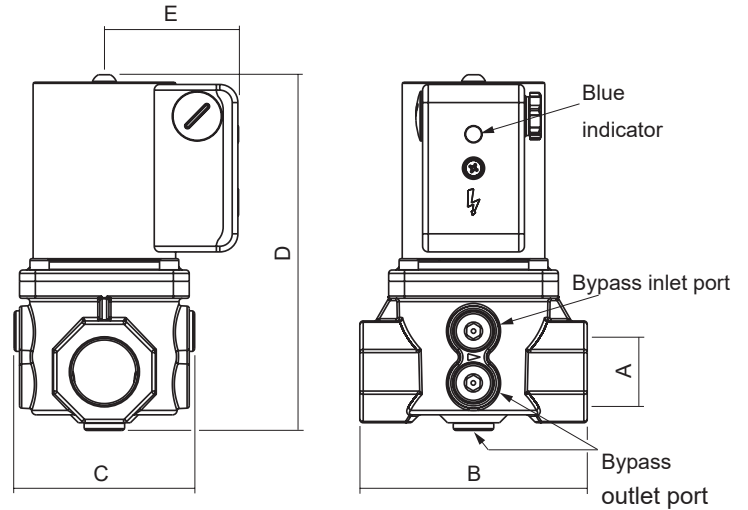
### Product Comparison Chart

Size	AGS	Honeywell	ASCO
1/2"	AGS-GSV12	V4295A 1015 V4295A 1106 V8295S 1016*	8040 G022 8215 G020* 8210 G094*
3/4"	AGS-GSV34	V4295A 1023 V4295A 1114 V8295A 1023*	8040 G030 8040 G023 8214 235 8042 C045*
1"	AGS-GSV1	V4295A 1031 V4295A 1122 V8295S 1032*	8040 C004 8215 250 8210 B050 8040 B0487**
1+1/4"	AGS-GSV114	V4295A 1049 V4295A 1130 V8295S 1040*	8040 C005 8215 C045* 8210 260 8040 B060 8043B057**
1+1/2"	AGS-GSV112	V4295A 1049 V4295A 1148 V8295S 1056	8214 270 8042 C066* 8215 B075* 8043 B067**
2"	AGS-GSV2	V4295A 1056 V4295A 1155	8214 280 8215 B080 8042 C075* 8043 A077**

\*Check pressure and voltage requirements before ordering

\*\*Provide with AGS CPI switch for proof of closure

### Dimensions



Size (Inch)	A	B	C	D	E
1/2"	1/2"	3.62"	3.00"	6.14"	2.32"
3/4"	3/4"	3.62"	3.00"	6.14"	2.32"
1"	1"	3.94"	3.15"	6.22"	2.32"
1-1/4"	1-1/4"	5.87"	4.53"	8.50"	2.80"
1-1/2"	1-1/2"	5.87"	4.53"	8.50"	2.80"
2"	2"	6.69"	5.59"	9.06"	3.00"



Find out more

**American Gas Safety LLC**

[www.americangassafety.com](http://www.americangassafety.com)

Head office:

6304 Benjamin Road, Suite 502, Tampa, FL 33634

Tel: (727) 608-4375

Email: [info@americangassafety.com](mailto:info@americangassafety.com)

