



## MERLIN GDP2X

### Safe Area Gas Detector-TFT Controller



## Installation, Operation & Maintenance

Please read this manual carefully and retain for future use.

AGS provide a range of detection panels which can be used in many applications such as factories, car parks, shopping centres and boiler houses. The GDP2X can be used with up to eight (8) TFT range gas detectors in a single cable run for monitoring and detecting gas in zones considered safe including CO, LPG and methane.

- ⚠ *The information contained within this manual should be referenced for typical installation and operation only.*
- ⚠ *For specific requirements that may deviate from the information in this guide – contact your supplier.*

## Contents

<b>Important Warning Statements</b> .....	<b>3</b>
<b>Installation</b> .....	<b>4</b>
Typical Application, Location & Positioning .....	4
Access & Mounting .....	5
Internal Board Overview .....	5
Board Connections Overview .....	6
Wiring your Detector .....	6
Creating a Detector Chain .....	7
Detector ID Switches .....	7
120ohm Termination Resistance .....	8
Audible Alarm Switch.....	8
Configuration Settings .....	8
Settings Options Explained.....	8
Factory Set Condition .....	9
Trouble Shooting .....	9
<b>Operation</b> .....	<b>9</b>
Initial Power Up (Commissioning).....	9
Main Screen.....	9
Zone Status.....	9
Zone Screens.....	10
Alarm Messages .....	10
<b>General Maintenance</b> .....	<b>11</b>
Cleaning.....	11
Manual Circuit Simulation Test .....	11
Service Reminders.....	11
Bump Test (Gas Response Check).....	11
Standard Test Gases .....	12
Bump Test Procedure.....	12
Reset Service Message .....	13
End of Operational Life (EOL).....	13
<b>Specification</b> .....	<b>15</b>



## Important Warning Statements

Please take the time to thoroughly read these instructions which should be retained for future reference.

Detectors are shipped pre-calibrated and configured.

The expected lifetime of a gas sensor is 3-10 years upon initial power up dependant on your target gas and environmental factors. The device will display a message to indicate this time and should immediately be replaced.

It is recommended that this device be commissioned upon installation and serviced annually by a competent person.

Do not apply lighter gas or other aerosols to the device – this will cause extreme damage to the sensors.

High concentrations of alcohol found in many products may damage, deteriorate or affect the gas sensing elements.

This device is designed to detect the gas type displayed on the screen only.

It is not designed to detect smoke, fire or other gases and should not be used as such.

This device provides early warning of the presence of gas, usually before a healthy adult would experience symptoms. This warning is possible provided your alarm is installed and maintained in accordance with this manual.

Never ignore your device when in alarm.

This device requires a continual supply of electrical power – it will not work without power.

This device should not be used to substitute proper installation, use and/or maintenance of fuel burning appliances including appropriate ventilation and exhaust systems.

Multiple detectors may be required to adequately protect property and persons.

This device does not prevent dangerous gasses from occurring or accumulating.

Actuation of your alarm indicates the presence of dangerous levels of gas.

The device is not intended for use in potentially explosive atmospheres.

Seek fresh air supply and contact your local gas emergency service should you suspect a gas leak.

This unit may not fully safeguard individuals with specific medical conditions. If in doubt, consult a doctor/physician.

Your product should reach you in perfect condition, if you suspect it is damaged, contact your supplier.

---

## Manufacturer's Warranty

**Warranty coverage:** The manufacturer warrants to the original consumer purchaser, that this product will be free of defects in material and workmanship for a period of three (3) years from date of purchase or one (1) years for oxygen detectors.

The manufacturer's liability hereunder is limited to replacement of the product with repaired product at the discretion of the manufacturer. This warranty is void if the product has been damaged by accident, unreasonable use, neglect, tampering or other causes not arising from defects in material or workmanship. This warranty extends to the original consumer purchaser of the product only. **Warranty disclaimers:** Any implied warranties arising out of this sale, including but not limited to the implied warranties of description, merchantability and intended operational purpose, are limited in duration to the above warranty period. In no event shall the manufacturer be liable for loss of use of this product or for any indirect, special, incidental or consequential damages, or costs, or expenses incurred by the consumer or any other user of this product, whether due to a breach of contract, negligence, strict liability in tort or otherwise. The manufacturer shall have no liability for any personal injury, property damage or any special, incidental, contingent or consequential damage of any kind resulting from gas leakage, fire or explosion. This warranty does not affect your statutory rights. **Warranty Performance:** During the above warranty period, your product will be replaced with a comparable product if the defective product is returned together with proof of purchase date. The replacement product will be in warranty for the remainder of the original warranty period or for six months – whichever is the greatest.

---

## Information on waste disposal for consumers of electrical & electronic equipment.



When this product has reached the end of its life it must be treated as Waste Electrical & Electronics Equipment (WEEE). Any WEEE marked products must not be mixed with general household waste, but kept separate for the treatment, recovery and recycling of the materials used. Please contact your supplier or local authority for details of recycling schemes in your area.

At the end of their working life, electrochemical sensors for oxygen and carbon monoxide detectors should be disposed of in an environmentally safe manner. Alternatively they can be securely packaged and returned to AGS clearly marked for disposal. Electrochemical sensors should not be incinerated as this may cause the cell to emit toxic fumes.

# Installation

## Typical Application, Location & Positioning

The Merlin GDP2X is a multi-safe zone gas detection panel which can be used in many applications such as factories, car parks, shopping centres and most commonly - boiler houses. It can be used with up to eight Merlin gas detectors (TFT range) for monitoring and detecting gas including carbon monoxide, liquid petroleum gas and methane. The controller panel can be integrated with, but not limited to, a BMS (building management system) a fire panel, external alarms and remote emergency shut-off buttons.

Locations for detectors will vary based on the intended application and target gas, they should be located near identified sources of a potential gas leaks/ pockets where hazardous gas could quickly accumulate and areas of identified consequential risk. The composition of the target gas and its density relative to air are used as the basis for any recommended height of detector placement. Generally, the installation height of a detector for a heavy gas (such as propane) would be close to the lowest point in the area, and for a light gas (such as methane) would be close to the highest point in the area. Any recommended heights may vary based on air flow and temperature conditions in addition to the proposed application and location – this is particularly apparent with oxygen depletion sensors, and the target gas that they are used for.

### Target Gas

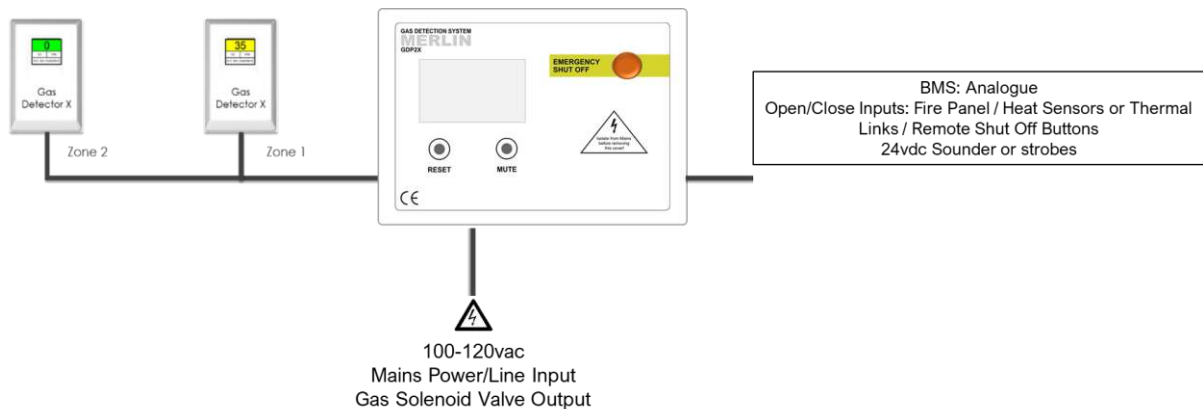
- Natural Gas/Methane (NG)
- Liquid Petroleum Gas (LPG)
- Carbon Monoxide (CO)
- Hydrogen (H)
- Oxygen (O<sub>2</sub>)

### Typical Position

- High Level - 300mm (1ft) from ceiling
- Low Level - 300mm (1ft) from ground level
- Breathing Zone - 1700mm (5ft 6") from ground level
- High Level - 300mm (1ft) from ceiling
- \*Breathing Zone - 1000-1500mm (3 - 5ft) from ground level

\* If you are installing and monitoring Oxygen depletion – consider the density of gas for its application and position the detector accordingly i.e. ground level for high density gases.

The control panel should be located away from the area that it is monitoring and accessible is for both status observation and alarm purposes. The control panel should be located outside of the hazardous area that it is monitoring. Easy access is required both for status observation and alarm purposes.



**Where detector cable runs may exceed 100 yards from one control panel – Contact your supplier!**

**The use of sound strobes are highly recommended!**

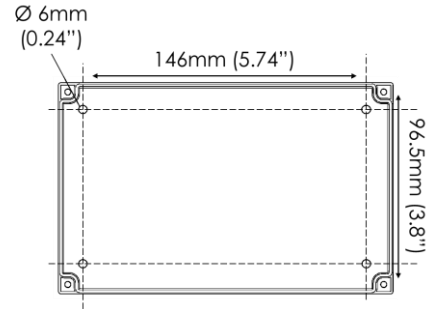
**Refer to your detector manual for further information regarding coverage, location and positioning including areas and conditions to avoid!**

## Access & Mounting

Unpack all the parts!

Designed for surface mounting, it must be installed by a licensed, insured contractor or competent person.

Carefully remove the front cover from the unit by unscrewing the four bolts located at each corner. To do this – use the socket wrench provided. Mark the four screw holes located on the back of the enclosure to the wall and ensure the wall surface is flat to prevent base distortion.



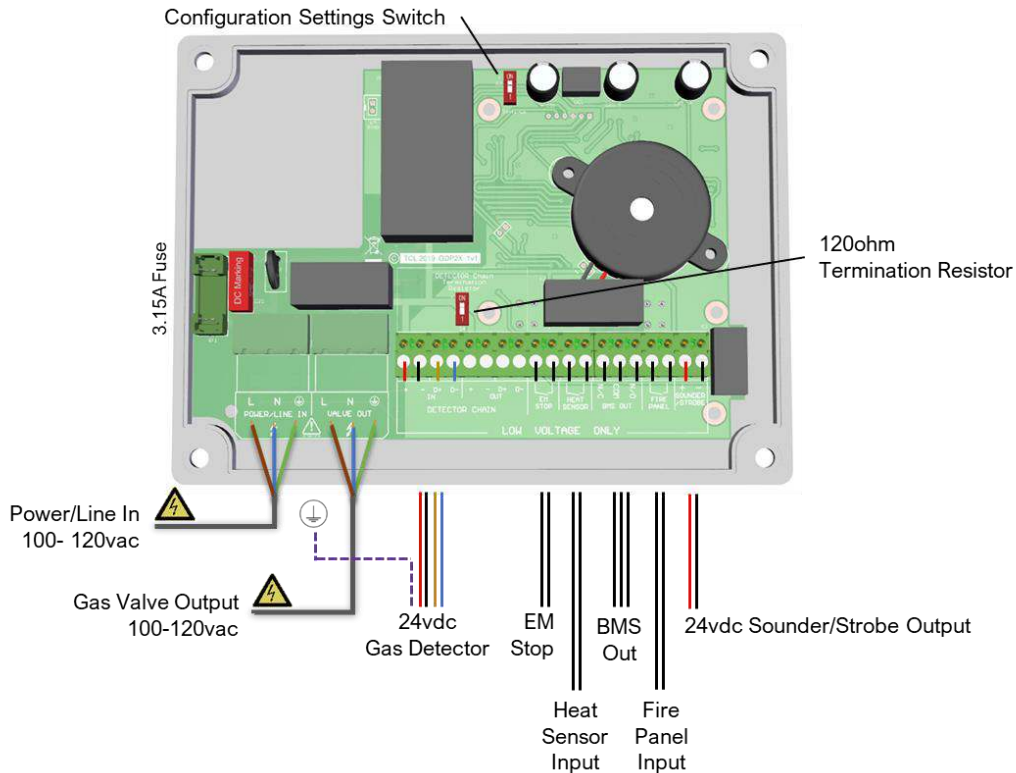
After executing the mounting and the connections – replace the front cover and insert the security caps over the four bolts.



**Access to the interior of the panel, when carrying out any work, must be conducted by a competent person. Before carrying out any work ensure local regulations and site procedures are followed.**

**We recommend all Merlin gas detection equipment and systems are commissioned by a competent/trained engineer to ensure correct installation and operation. Contact AGS for more information.**

## Internal Board Overview



Note: Terminal blocks are plug/socket type and may be removed to ease wiring.



**Be careful when creating access for cables – Damage to circuit boards will void any warranty!**  
**Detectors must be earthed/grounded for electrical safety and to limit the effects of EMC or R/F interference!**  
**For MODBUS communications, a shielded cable is used!**  
**Detectors are shipped pre-calibrated and configured!**

## Board Connections Overview

**POWER / LINE IN** 100-120vac mains power supplied to the [POWER/LINE IN] connector using a 3-core cable and fused at 3A. On connecting the mains supply to the panel the power LED indicator will light up – this is located on the front cover.

**VALVE OUT** 100-120vac electrical power output from the [VALVE OUT] connector using a 3 core cable can be connected to a gas solenoid valve which can shut the gas supply on alarm status. Refer to your valve manual for more information.

**DETECTOR CHAIN** 24vdc power supply and MODBUS communication data cables are wired up to 8 detectors, chained in parallel up to approx. 100 yards from the panel depending on the chain configuration, wire type for power and condition. For more information see section: *Wiring your detector*.

**EM STOP** Open/close connections for external shut-off buttons. If using multiple shut off buttons, wire in parallel.

**HEAT SENSOR** Open/close connections for heat sensors/thermal links.

**BMS OUTPUT** Dry contact connections are available on the board for Building Management Systems.

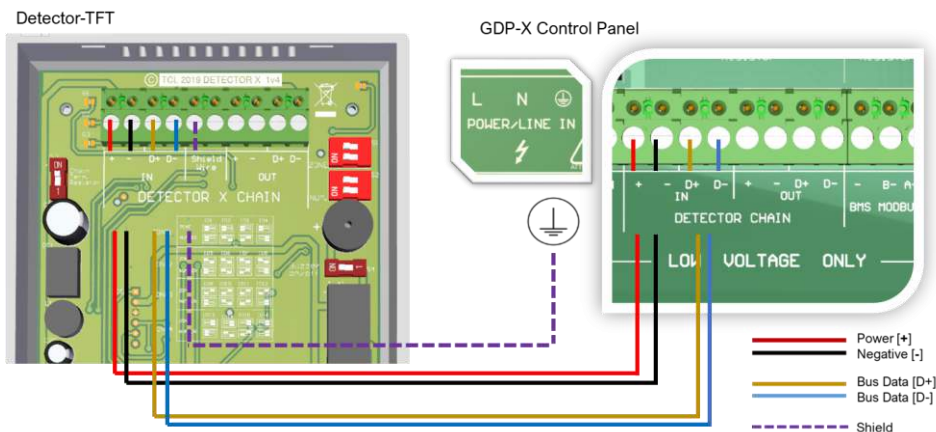
This is a relay that changes state in alarm or when the gas line is on/off and can be used in conjunction with the 24vdc output and other external relays that affect other devices and controls such as purge fans and audible alarms etc.

**FIRE PANEL** Open/close connections for fire alarms/panels.

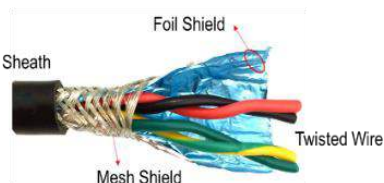
**SOUNDER-STROBE** 24vdc connections for an external sounder alarm/ strobe lighting to activate on alarm.

## Wiring your Detector

24vdc power and MODBUS communication cables wired to terminals marked [DETECTOR CHAIN + - D+ D-].



[SHEILD WIRE] detector terminals used for earthing/grounding and shield wires connected to any earth/ground terminal on the control panel. Twist the shield wire to avoid stray shield wires. If the detector does not have dedicated shield wire terminals, shield wires connect to the 24vdc negative terminal [-] on both detector and panel.



A shielded and twisted 2 or 4 core cable is used to wire the MODBUS terminals [D+ & D-]. The shielding can be of 2 types: braided [mesh of thin conducting wires] or foil (consisting of a thin sheet of metal covering the twisted wires). One example of such cable is BELDEN 3082A. Any cable with similar characteristics can be used to connect all the devices together.

If you are encountering noise or irregular problems with a bus link, the problem is likely related to grounding, incorrect shielding or wiring mains power cables next to data cables.



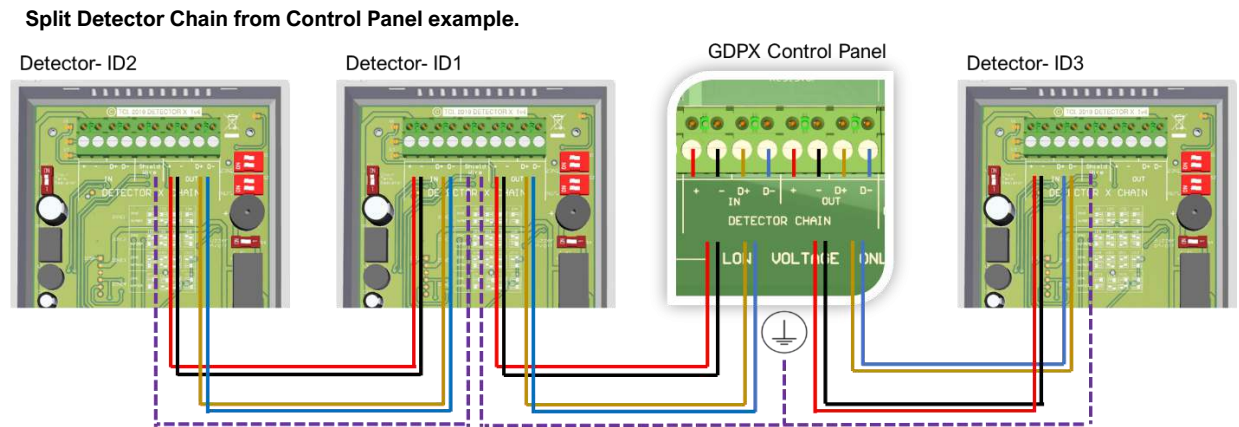
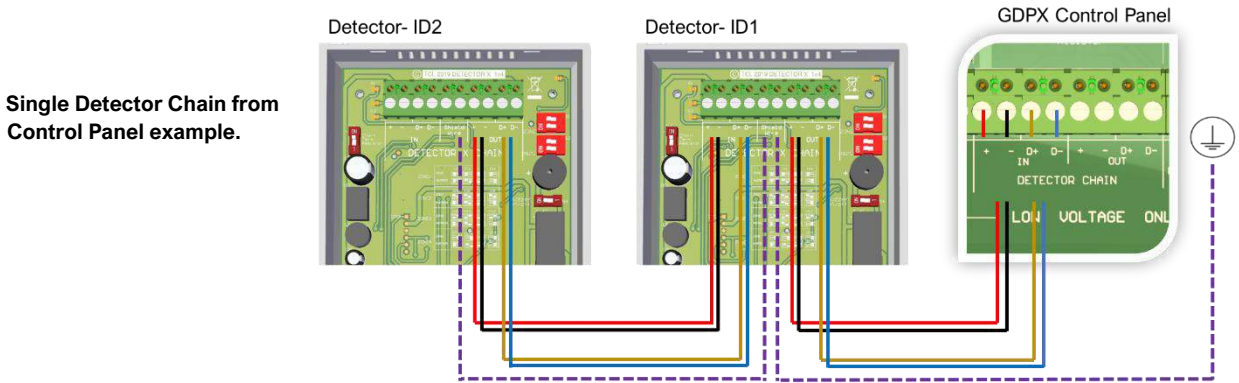
**The detector must be earthed/grounded for electrical safety and limit the effects of R/F & EMC interference!**

**Where cable runs may exceed 100 yards from one control panel – Contact your supplier!**

**Ensure the 120-ohm termination resistance switch is turned on at each end of a cable run!**

## Creating a Detector Chain

Create a detector chain by connecting detectors in a parallel (daisy chain) method. Any other way may cause issues or damage to the overall system. Resistor switches should be turned on at each end of a chain – see section ‘120-ohm Termination Resistance’.



Reversing the [D+] and [D-] connections of any device can lead to the whole system to stop working owing to reverse polarity found on the terminals. In order to avoid this problem, it is recommended that a cable of same colour should be used to connect all [D+] terminals together and similarly cable of same colour to be used to connect all [D-] terminals together.

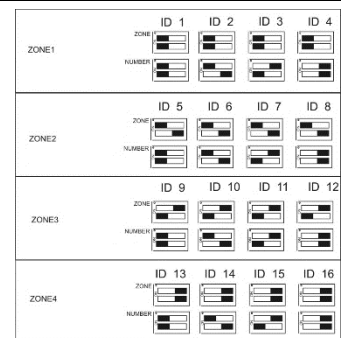


**The detector must be earthed/grounded for electrical safety and limit the effects of R/F & EMC interference! Where cable runs may exceed 100 yards from one control panel – Contact your supplier! Ensure the 120-ohm termination resistance switch is turned on at each end of a cable run!**

## Detector ID Switches

When wiring multiple detectors it is important to identify each detector installed for the control panel to receive and display accurate data corresponding with the correct device.

The ID configuration diagram is printed onto detector boards for quick reference as shown opposite. All detectors are factory set to ID1.



**We recommend a plan, map and/or marking the detector enclosures detailing ID and location! ID Switches must be configured for each detector connected to receive and display accurate data!**

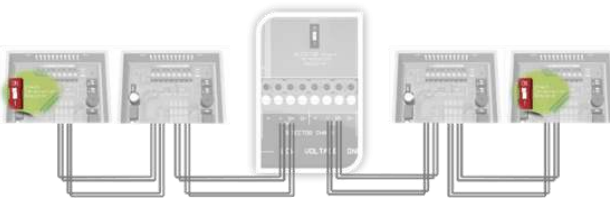


## 120ohm Termination Resistance

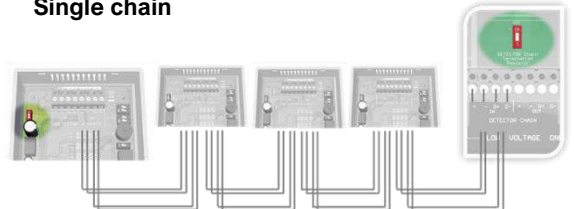
Signal communication issues may occur where the bus length is too long, high baud rates are used or signal reflections are occurring. To avoid this, terminating at each end of a chain may help the quality of the data signal by turning on the 120-ohm terminal resistor switch. If a split chain is used, terminate the last detector in each chain. If a single chain is used, terminate the first device (Panel) and last device (Detector).



**Split chain**



**Single chain**



## Audible Alarm Switch



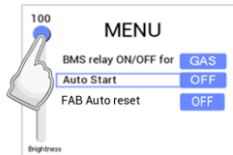
There is a switch on the detector board identified as [Buzzer On/Off]. The detector can be configured to have an audible alarm or not when gas levels reach the alarm set points. The alarm will continuously sound – there are no provisions to silence the alarm, gas levels must drop to a safe value for the alarm to stop.

## Configuration Settings

On the circuit board you will find a [SETTINGS] dipswitch, when switched to on the screen will display the settings menu – you can now configure your detection system.

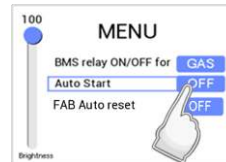
### Adjust Screen Brightness.

Press or slide the cursor up and down.



### Change/Select Option

Press the blue option box or press and hold.



When the system is configured – turn the SETTINGS switch off and the system will restart.



**To view, change and save settings, you must provide mains power!**  
**Access to the interior of the detector, when carrying out any work, must be conducted by a competent person!**  
**Before carrying out any work ensure local regulations and site procedures are followed!**

## Settings Options Explained

FUNCTION	OPTION	Explanation
BMS relay ON/OFF for-	- Gas	-Gas changes relay state with gas valve status only.
	- Error	-Error changes relay state upon all alarm messages.
Auto Start-	- ON	In the event of a power loss, the system will restart automatically when restored.
	- OFF	
FAB Auto Reset	- ON	ON: System resets with the fire panel automatically following fire panel alarm.
	- OFF	OFF: Manually reset system following fire panel alarm.



### Factory Set Condition

FUNCTION	OPTION	Explanation
BMS relay ON/OFF for-	- Gas	-Gas changes relay state with gas valve status only.
Auto Start-	- OFF	In the event of a power loss, the system will require resetting manually.
FAB Auto Reset	- OFF	Manually reset system following fire panel alarm.

### Trouble Shooting

Fault.	Possible Cause/Correction.
Detector not responding	Incorrect wiring or screening of cables. ID switches not properly configured. Termination switches not set up correctly.
Service message	Detector requires service – contact supplier.
End of Life message	Detector requires replacement – contact supplier.

## Operation

### Initial Power Up (Commissioning)

On connecting mains power, the GDP2X panel will ‘warm up’ for approximately 60 seconds – during this time the screen will display an ‘initialisation’ message while system searches for detectors wired to the system.



**We recommend all gas detection systems be commissioned by a competent/trained engineer to ensure correct installation and operation!**

### Main Screen

When the system has finished initialising – the main screen will appear.

The main screen gives an overview of the status of each zone monitored by gas detectors and if the system is OK.





### Zone Status

Zone Status	System Condition
ZONE... <b>OK</b>	Gas levels are safe. No error conditions.
ZONE... <b>ATTENTION</b>	Detector(s) are in pre-alarm status or Detector(s) require service or Detector gas sensor(s) end of life.
ZONE... <b>DANGER</b>	Dangerous gas levels have been detected or Detector gas sensor fault has been detected or Detector has lost its signal with the control panel. See section: Alarm Messages.
ZONE... <b>DISABLED</b>	No detector signals received from the zone.
ZONE... <b>-- X --</b>	Detector not installed or Detector not configured correctly.

## Zone Screens

Switch between zone screens by touching the relevant zone screen, i.e. [Z1] or [Z2]. Each zone can display up to 4 detectors and includes the status of alarms and gas levels.

a	b	c	d	e
ID	Serial Number	Gas	Status	Value
1	123456789103	CO	GOOD	20 ppm
2	123456789103	CO	GOOD	20 ppm
3	123456789103	CO	GOOD	20 ppm
4	123456789103	LPG	GOOD	5.4 LEL%

- a. **ID:** The detector identification number
- b. **Serial Number:** The unique serial number for that detector.
- c. **Gas:** The target gas that the detector is monitoring.
- d. **Status:** The status of gas levels, errors and messages.
- e. **Value:** The concentration value of gas monitored.

## Alarm Messages

When a detector goes into alarm state, the control panel isolate the gas supply and the screen will display the ID of the detector in alarm. If two or more detectors enter alarm status, the first detector to send an alarm signal to the control panel will be shown in the top left hand corner of the screen. Press the relevant zone page for detector information. There are three types of detector alarm.



**Detector Alarm ID: #**

Dangerous gas levels detected, the control panel will display an **'Alarm'** message and detector ID.

**Detector Fault ID: #**

If the control panel receives a fault signal from a detector, your panel will show a **'Fault'** message and detector ID.

**Detector Lost ID: #**

If a detector loses communication with the control panel, the screen will show a **'Lost'** message.

**External Panel Connection Alarms**

Alarm messages prompted from external devices connected to relevant open/close terminals on the internal board i.e. remote emergency shut off buttons are visible when in alarm state. The gas supply will isolate (be shut off) and no gas detection details will be available. After the cause of alarm is rectified, press the reset button.



**Alarms will isolate the gas supply/line!**

**The control panel must be reset following an alarm!**

**Investigate and rectify the issue before resetting the panel!**

**Pressing mute on the panel when in alarm will silence the audible alarm buzzer on the panel!**

## General Maintenance

### Cleaning

- ⚠ **Concentrations of alcohol found in many products may damage, deteriorate or affect the gas sensing elements such as; wine; deodorants; stain removers and thinners. Other gases and substances to avoid are corrosives (i.e. chlorine & hydrogen chloride); alkali metals; basic or acidic compounds; silicones; tetraethyl lead; halogens and halogenated compounds!**

Keep your gas detector in good working order - follow these basic principles.

- Remove any dust/debris from the outer enclosure regularly using a slightly damp cloth.
- Never use detergents or solvents to clean your device.
- Never spray air fresheners, hair spray, paint or other aerosols near the device.
- Never paint the device. Paint will seal vents and interfere with the device.

### Manual Circuit Simulation Test

- ⚠ **Access to the interior of the detector, when carrying out any work, must be conducted by a competent person!**
- ⚠ **This circuit test does not check the gas-sensing element itself!**

When the test button on the circuit board is pressed and held the detector will simulate an open circuit to ensure configured systems, outputs, alarms, indications, and other external devices operate as intended in response to gas. When the test button is released – the test sequence will terminate and return to normal operation.



### Service Reminders



A service screen will intermittently flash every 30 seconds after one year of operation.

The annual message reminder will begin after five (5) hours of continuous power irrespective of whether the system is then, used intermittently. The detector will still operate as intended during this time.

Depending on the application and environmental factors, a service (bump test) can be conducted at a higher frequency determined by the end user but must be executed by a competent person.

### Bump Test (Gas Response Check)

#### What is a Bump Test?

Gas response checks are often referred to as a 'bump test'. Bump tests are important to make sure a device is able to detect a release of gas as early as possible. The aim of the bump test is to make sure a detector is working at its optimum by briefly exposing the unit to a known concentration of the target gas that usually exceeds the highest alarm point. If the detector goes into alarm and all signals/outputs activate, then the system is working safely.

If the system fails to operate as intended in an alarm state, the gas detector must not be used until a full inspection and service has been conducted.

#### Why is it important?

A detector may visually appear in good working order, but its sensitivity and accuracy can be inhibited by external factors. Dust, humidity, temperature fluctuations, cleaning products, contaminants, exposure to its target gas or sensor drift (ageing) can cause a decline in sensitivity, accuracy and eventual failure.

#### How often?

Regular bump tests are important to make sure the detector is able to detect a release of gas as early as possible and usually takes seconds (gas type dependant i.e. CO sensors will take over a minute) and is often completed alongside a scheduled fire alarm test, however the frequency should be determined following an appropriate risk assessment by the end user.

We recommend testing detectors every 12-18 months along with the regular fire test procedures and coincide with the annual service message prompted on the detection system after each year of service/operation.

#### What do I need?

Contact your AGS representative for details of suitable bump testing kits and gases. Kits usually consist of a certified gas cylinder or spray. We recommend only using AGS calibration gas kits to ensure correct flow rates meet AGS technical requirements. A bump testing gas is usually a concentration mix that exceeds the highest alarm set point.

## Standard Test Gases

**⚠ All certified test gases supplied by AGS are classified as non-flammable and non-toxic, however, they do contain gas under pressure and may explode if heated to extreme temperatures and cause asphyxiation in high concentrations.**

See below for recommended gas concentrations for bump testing your detector.

Detector Type	Standard Test Gas
CO - Carbon Monoxide	350 - 500ppm (balance in air).
NG - Methane	0.6 - 0.8% BV (balance in air)
LPG - Liquid Petroleum Gas	0.3 – 0.4% BV (balance in air)
H - Hydrogen	5000 - 6000ppm (balance in air)
O <sub>2</sub> - Oxygen	15% (balance in Nitrogen).
CO <sub>2</sub> – Carbon Dioxide	>4500ppm or Breath on Sensor

## Bump Test Procedure

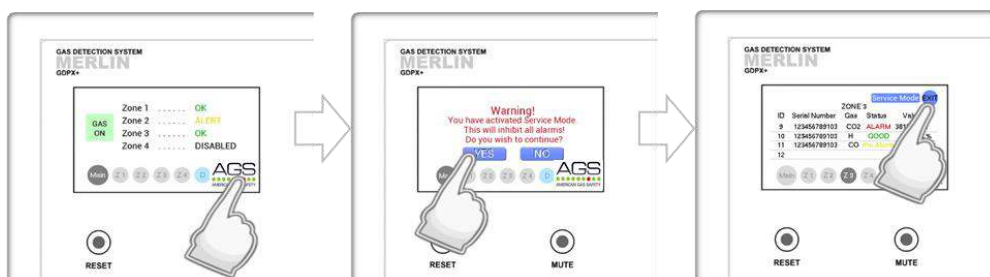
- ⚠ To increase reaction time, cover the escape vents at the top of the device.
- ⚠ For more help and advice on bump testing – contact us.
- ⚠ Always remove the regulator/valve from cylinder after use!
- ⚠ Always check cylinder pressure upon sealing valve – there may not be a sufficient amount of gas!
- ⚠ All AGS cylinders will re-seal upon removal of the regulator/valve!
- ⚠ Always give at least five (5) minutes between testing the same unit or until gas has fully dispersed!
- ⚠ Always consider safety and use equipment in accordance with Safety Data Sheets!

### STEP 1

#### Activate Controller Service Mode – GDP2X & GDPX+

- ⚠ This will inhibit all alarms/outputs and signals for fifteen (15) minutes!
- ⚠ If you are testing all actuation of alarms/outputs and signals please proceed to Step 2!

- Access service mode by pressing the AGS logo on the controller (home screen logo only).
- The screen will display a service message prompt.
- Press Yes. (Note: All alarm signals/outputs will be inhibited for fifteen (15) minutes).
- Proceed to test gas detectors.
- Upon completion – exit service mode by pressing the 'Exit' button on screen.



**STEP 2****Test Detector**

**⚠ Access to the interior of the detector, when carrying out any work, must be conducted by a competent person!**

- Ensure you have the correct gas for the device type prior to application.
- Screw and seal the regulator/valve into the gas cylinder outlet.
- Once sealed, the regulator pressure gauge will indicate cylinder pressure.
- Offer up the applicator hose/cone to the lower vents.
- Alternatively, enclose the device and apply gas i.e. in an airtight bag or container.
- Open the valve/regulator to allow the gas to be delivered at a pre-set flow rate.
- Wait for the device to enter alarm status and energise configured outputs/relays.
- At this point...
- Remove applicator hose/ cone and turn the gas cylinder regulator/valve off.
- Wait for the device to return to normal.
- Reset the system.
- Record your test details. There is a provision for this in your control panel manual.

End.

**Reset Service Message**

**⚠ Access to the interior of the detector, when carrying out any work, must be conducted by a competent person!**

**⚠ It is recommended to bump test detector(s) prior to resetting the service reminder message!**



1. Carefully remove the detector cover to access the circuit board.
2. Short out the unmarked service header for ~5s and wait for a 'beep'.
3. The service message on screen will reset.
4. Carefully replace the back cover.

**End of Operational Life (EOL)**

**⚠ The EOL is approximate from the first five (5) hours of continuous power!**

**⚠ The EOL will depend on the type of gas your detector is targeting and may vary depending on its application and environmental conditions such as the frequency of exposure to the target gas, poisons or inhibitors!**



The typical life of a gas detector depends on its application and intended target gas, in addition the operational life can be prolonged if the system and equipment is installed and maintained in accordance the instructions stated within this manual.

At the end of its predicted operational life – the detector will display an 'End of Life' screen. This message indicates that the detector has reached its expected operational lifecycle and no gas levels are displayed.

You must contact your supplier immediately for replacement.

*Page intentionally left blank*

## Specification

<b>General</b>	
Product:	GDP2X: Gas Detection Control Panel
Use:	Indoor, Safe Areas (not to be used in potentially explosive atmospheres)
Indicators (2.8" Touch Screen)	Main Zone Status. ID. Gas Type. Concentration Level. Measured Value. End of Life. Fault. Service.
Screen Brightness	Adjustable 0-100%
Mounting	Wall Mounting
<b>Electrical</b>	
Max. Power Consumption	20W Max (Full Load)
Power Voltage Input Range	100-120vac
Gas Valve Output Range	100-120vac
I/Os	2x 24vdc Outputs (Detector / Strobe or Sounder) 3x Open/Close Switches (EM Stop / Heat Sensor / Fire Panel)
BMS Terminal	Dry contact (Normally Closed / Common / Normally Open) 3A Max
Relay(s)	2x 120vdc 8A (Latching) Configurable Normally open or Normally Closed (Switch)
Terminal Wire ratings	Copper 18AWG (0.75mm <sup>2</sup> ) Min. 25 x screw terminals.
Fuse	3.15A
<b>Construction</b>	
Dimensions (H x W x D)	140 x 190 x 62 mm/ 5.51 x 7.48 x 2.44"
Unit Weight (Approx.)	0.72kg / 25.4oz
Housing Material	Polylac - PA765
<b>Environmental</b>	
Ingress Protection	IP65 (Pre-installation)
Storage Conditions	Dry. Cool. Flat
Operating Conditions	-10 ~ 50°C / 14 ~ 122°F 30 ~ 80% rh
<b>Compliance</b>	
CE / UKCA	EN 61326-1 / BS EN IEC 61010-1



**Installation Details**

Please pass this manual to the system owner / user.

Date of Installation:	
Installation Location:	
Organisation:	
Stamp/Signature of the installer:	

We recommend all Merlin gas detection equipment be commissioned by a competent/trained engineer to ensure correct installation and operation. The Merlin range of gas detectors are calibrated when manufactured, however, we strongly recommend the detectors response and alarm signals are tested and validated once installed. This will ensure the equipment performs as intended and is free from any unforeseen damage caused by transit/installation.

Every effort is made to ensure the accuracy of this document; however, AGS can assume no responsibility for any errors or omissions in this document or their consequences. AGS would greatly appreciate being informed of any errors or omissions that may be found in the content of this document. For information not covered in this document, or if there is a requirement to send comments/corrections, please contact AGS using the contact details given below.

**American Gas Safety LLC**

Head office:  
6304 Benjamin Road, Suite 502, Tampa, FL 33634  
Tel: (727) 608-4375

[info@americangassafety.com](mailto:info@americangassafety.com)



American Gas Safety LLC is the owner of this document and reserves all rights of modification without prior notice.