

AGSPGT7M Datasheet

Digital Timer With
 Lockable Metal Cover



7.88" (H) x 5.13" (W) x 3.44" (D)

Product Overview

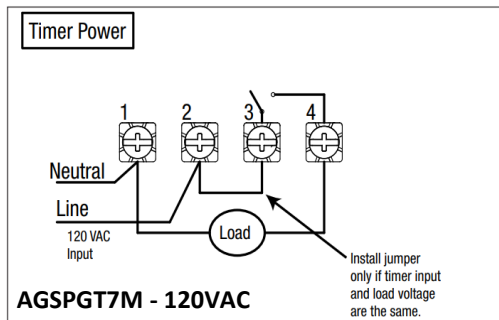
The AGSPGT7M 7-Day Electronic Time Switches feature independent 7-day programming to provide flexibility for applications. These time switches provide dependable and uncomplicated performance, plus to-the-minute programming for an accurate load control and reduced energy costs. Up to 28 set points or events can be pre-set to automatically repeat. The program can be disabled at any time by placing the time switch in the Manual operating mode. Control buttons provide manual control of each circuit independently regardless of the operating mode. Each time switch is housed in a lockable enclosure to protect against vandalism and unauthorized tampering.

Key Features

- ✓ Program can be repeated on a weekly basis
- ✓ Multi-volt operation from 120-277 VAC, 50/60 Hz
- ✓ To-the-minute programming for accurate load control and reduced energy costs
- ✓ Up to 28 setpoints
- ✓ Automatic Daylight Saving Time (DST) ON/OFF adjustment (factory enabled)
- ✓ Non-volatile EEPROM memory protects programming indefinitely
- ✓ Temporary override or permanent manual override available via control buttons
- ✓ 2-circuit models are field (jumper) configurable for: 2 independent outputs, DPST output, or 1 channel ON pulse/OFF pulse output

Ratings

- Enclosure Options:** Standard: Type 1 Gray Painted Steel
- Knockouts:** Combination 1/2" & 3/4" knockouts Bottom: 2, Left: 1, Right: 1, Back: 1
- Frequency:** 120, 208, 240, 277 VAC 50/60 Hz
- Operating Temperature:** -40°F to 155°F (-40°C to 68°C)
- N.O. Contact Ratings:** Resistive: 30 Amps @ 120/240 VAC
 Resistive: 20 Amps @ 28 VDC
 Inductive: 30 Amps @ 120/240 VAC



Find out more

American Gas Safety LLC

www.americangassafety.com

Head office:

6304 Benjamin Road, Suite 502, Tampa, FL 33634

Tel: (727) 608-4375

Email: info@americangassafety.com

