

AGS-ESO Datasheet

Emergency Shut Off Push Button With Twist-Reset



EMERGENCY GAS
SHUT OFF

EMERGENCY
POWER OFF

EMERGENCY
BOILER OFF

Construction

- ✓ Station housing molded of tough polycarbonate
- ✓ UL listed to U.S. and Canadian safety standards

Specification

- ✓ Two (2) Form "C" contacts, DPDT, rated 10 amps @ 125/250 VAC, 1/2 HP, 6 amps @ 30 VDC.
- ✓ Switch rating 10 amps @ 240 VAC resistive and has a timer range: 2 - 60 seconds (± 15%).
- ✓ Indoor use only. Not recommended for outdoor/water applications.
- ✓ Temperature range of button 15° to 120°F (-9° to +49°C).
- ✓ 1 N.O. and 1 N.C. contact.

Product Overview

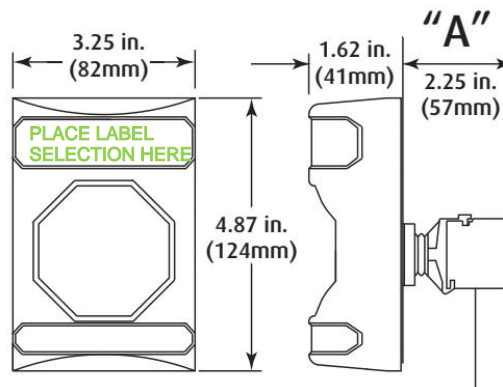
The AGS-ESO multipurpose push button can be used for a wide range of applications with the AGS Merlin range of safety systems.

The AGS-ESO is a twist re-set, flush mounted button and comes with a clear protective cover to provide accidental activations.

Key Features

- ✓ Protects against vandalism, accidental damage, dust and grime
- ✓ Indoor use only
- ✓ Twist release reset
- ✓ ADA Compliant
- ✓ Various colors, text & design types available upon request
- ✓ 5VA Flammability Rating

Dimensions



EMERGENCY GAS
SHUT OFF

EMERGENCY
POWER OFF

EMERGENCY
BOILER OFF