

## Description

The AGSPGT7M 7-Day Electronic Time Switches feature independent 7-day programming to provide flexibility for applications. These time switches provide dependable and uncomplicated performance, plus to-the-minute programming for an accurate load control and reduced energy costs. Up to 28 set points or events can be pre-set to automatically repeat. The program can be disabled at any time by placing the time switch in the Manual operating mode. Control buttons provide manual control of each circuit independently regardless of the operating mode. All models contain industrial-grade AAA alkaline batteries to provide time keeping and automatic carryover for a minimum of three years. The batteries are easily replaceable and do not require removing the time switch mechanism or field wiring. Each time switch is housed in a lockable enclosure to protect against vandalism and unauthorized tampering.

## Features

- Program can be repeated on a weekly basis
- Multi-volt operation from 120-277 VAC, 50/60 Hz
- To-the-minute programming for accurate load control and reduced energy costs
- Up to 28 setpoints
- Automatic Daylight Saving Time (DST) ON/OFF adjustment (factory enabled)
- Non-volatile EEPROM memory protects programming indefinitely
- Temporary override or permanent manual override available via control buttons
- 2-circuit models are field (jumper) configurable for: 2 independent outputs, DPST output, or 1 channel ON pulse/OFF pulse output



## Ratings

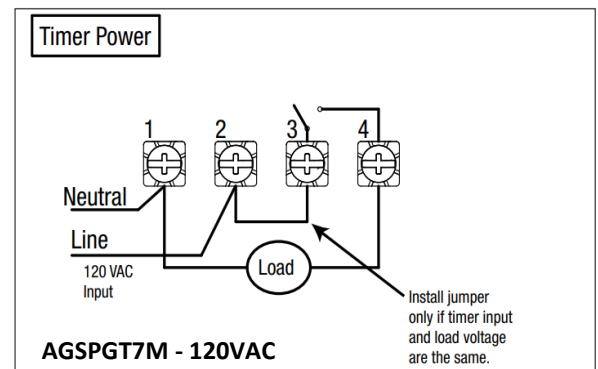
**Enclosure Options:** Standard: Type 1 Gray Painted Steel

**Knockouts:** Combination 1/2" & 3/4" knockouts Bottom: 2, Left: 1, Right: 1, Back: 1

**Frequency:** 120, 208, 240, 277 VAC 50/60 Hz

**Operating Temperature:** -40°F to 155°F (-40°C to 68°C)

**N.O. Contact Ratings:** Resistive: 30 Amps @ 120/240 VAC  
 Resistive: 20 Amps @ 28 VDC  
 Inductive: 30 Amps @ 120/240 VAC



Tungsten: 5 Amps @ 120/240 VAC  
 Ballast: 20 Amps @ 120-277 VAC  
 Motor: 1 HP @ 120 VAC / Motor: 2 HP @ 240 VAC

## Dimensions

**Product Height:** 7.875" (200mm)  
**Product Width:** 5.125" (130.2mm)  
**Product Depth:** 3.4375" (87.3mm)

## Gas Safety Systems

## Utility Control