

AGSTGC Solution Sheet

Scheduled Timed Supply



Automatic Control
Over Gas



Clear LED status
display



Modern &
Compact Design



Four Time Delay
Options - 30min, 1hr,
2hr or 3hr



Power Supply
110VAC or 24VAC/DC



Inputs Available From
Remote Panic Buttons
& Fire Alarms



Adaptable Utility
Output For Grills /
Features & Heaters
110Vac or 24Vac/dc



Manual Reset After
Alarm Condition

Product Overview

The AGSTGC provides a timed supply of gas to outdoor units such as grills, heaters and decorative fire features.

110VAC or 24VAC/DC output to gas solenoid valves or an electrical power supply. Each controller has a selectable time out function built-in via internal dip switches, for 30min, 1hrs, 2hrs or 3hrs. When the timer has reached the owner's selected setting, the front LED will flash to warn user of the time out.

The AGSTGC is manufactured in a modern polycarbonate enclosure which provides protection from damage. The AGSTGC is designed to replace contractor constructed solutions for timed supply and panic shutdown, incorporating a crucial reset of the timed supply after a panic shutdown.

Add 24/7 Scheduled Timed Supply



AGSPGT7M
24/7 Digital Timer

120VAC
Supply

7 Day Automatic
Timed Supply



AGSTGC
ON/OFF Gas Controller

120VAC
Supply

Gas Only
Supplied If
AGSPGT7M &
AGSTGC is ON



AGS Gas Solenoid Valve
120Vac, Normally Closed

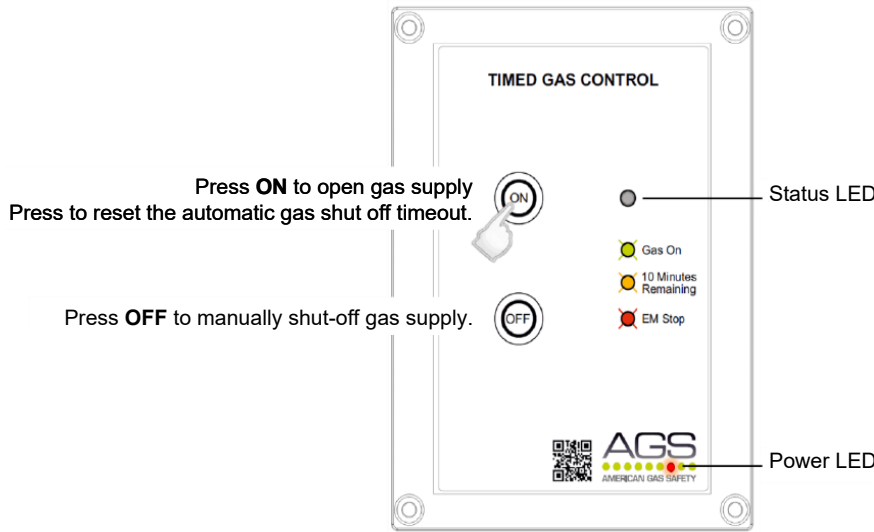
Gas
Supply

Gas Only
Supplied If
Gas Solenoid
Valve Is Open



Example Utility Controlled
Fire Pits, Grills, Heaters & Fireplaces

Status Indications

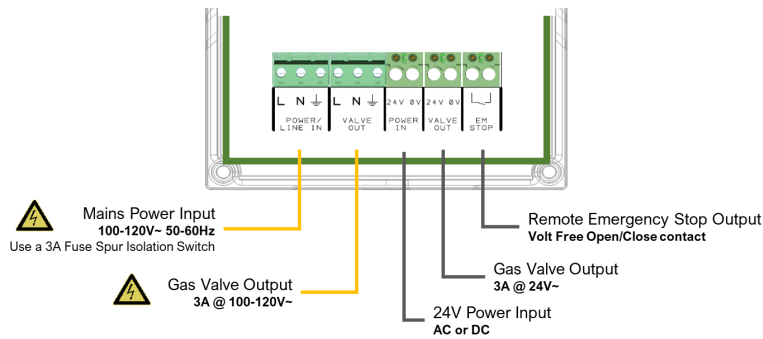


Green. Remains illuminated when gas is being supplied.

Yellow. The controller LED will turn yellow ten (10) minutes before the automatic gas shut off timeout is reached and when five (5) minutes remain the buzzer will beep, and the yellow LED will then intermittently flash. After this time, the gas will automatically shut off until reactivated.

Red. Remains illuminated when a remote emergency stop device has been activated. The gas supply is isolated until the emergency has been investigated, rectified, and reset. Press ON to re-enable/open the gas supply.

Internal Fuse: Anti-Surge 3.15A 250V~
 Wire Rating Min. 18AWG Tinned Copper @ 167°F / 75°C



Add A Weatherproof Cover

These indoor/outdoor low-profile covers protect devices without restricting legitimate operation.

The versatile cover offers excellent protection against physical damage (both accidental and intentional), dust and grime as well as severe environmental conditions inside and out.

Wall Mount Cover. Part No: AGS-TGC-WM-COVER
 Flush Mount Cover. Part No: AGS-TGC-FM-COVER



Find out more

American Gas Safety LLC

www.americangassafety.com

Head office:

6304 Benjamin Road, Suite 502, Tampa, FL 33634

Tel: (727) 608-4375

Email: info@americangassafety.com

