

FIRE HOUSE KITCHEN CONTROL / OUTDOOR GRILL

AMERICAN GAS SAFETY FIREHOUSE CONTROL / SAFETY SOLUTION GUIDE

The Merlin range of control panels offer a perfect control solution for firehouse protection.

On / off keyed authority over the gas supply to the kitchen range, fire call annunciation signal shuts down gas supply requiring on / off reset. Fire alarm and remote panic button also de-energizes gas supply to kitchen and requires on / off reset.

Locate panel in the kitchen area, accessible to employees and end users. Locate remote panic buttons at alternative egress points. Locate solenoid as per drawings. Solenoid valves are UL listed, 110-120vac normally closed safety shut off type.

Additional services such as electric power to kitchen range, electrical power to kitchen receptacles and outdoor gas fired grills can all be controlled by a single controller via electrical contactors or additional solenoids.

Please contact AGS for more additional design solutions.

Each Merlin panel also comes with a built in time-out function which can be utilized to shut off the kitchen after 2, 4 or 8hours, or it can be disabled.

Each panel provides an advisory output signal for F.A.C.P. or BAS/BMS systems.

Materials List.

- Merlin 1000Si Single Output Control Panel
- Merlin 1000S+i Dual Output Control Panel
- Merlin 500S Single Output Remote Control Unit

- Optional combustible Gas Detector AGSNGTFT
- Optional Carbon Monoxide Detector (CO) AGSCOTFT

- AGSFMK - Flush Mount Kit 1000 range
- AGSFMK500 - Flush Mount Kit 500 range

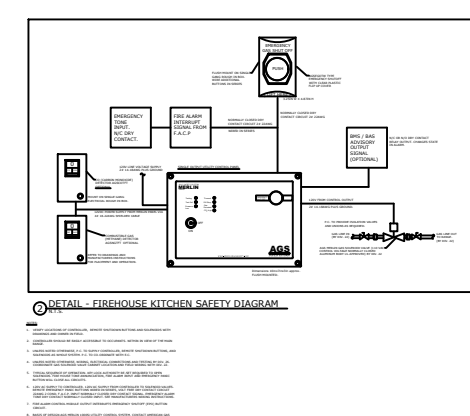
- AGSEPOTW - Remote Emergency Shut Off Button
- AGSEPOTWWM - Remote Weather Proof Outdoor Emergency Shut Off Button

- Gas Valve - 120vac Normally Closed 0-2PSI - Size Specific
- GSV12 1/2"
- GSV34 3/4"
- GSV1 1"
- GSV114 1+1/4"
- GSV112 1+1/2"
- GSV2 2"
- GSV212 2+1/2"
- GSV3 3"

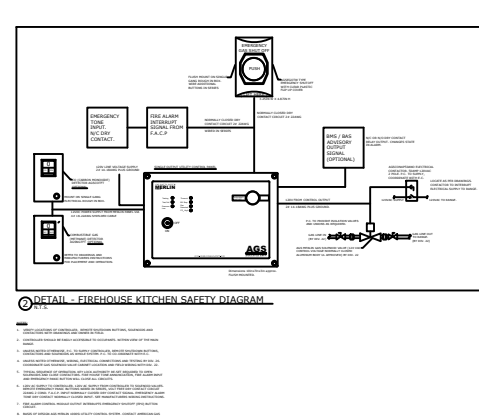
- Electrical Control
- AGSCON4P20ANO - Electrical Contactor - 4pole 20amp 120vac
- AGSCON4P50ANO - Electrical Contactor - 4pole 50amp 120vac

- AGSCONENC10104 - Electrical Contactor Enclosure 10x10x4in

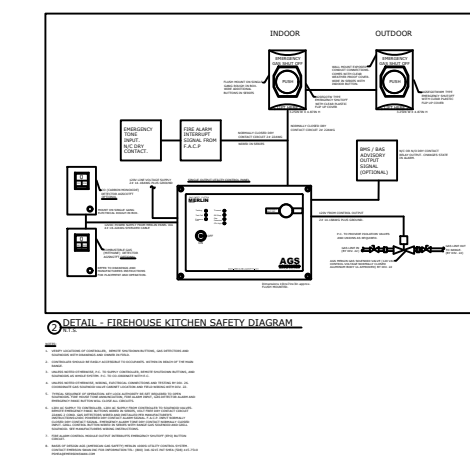
KITCHEN RANGE GAS ONLY



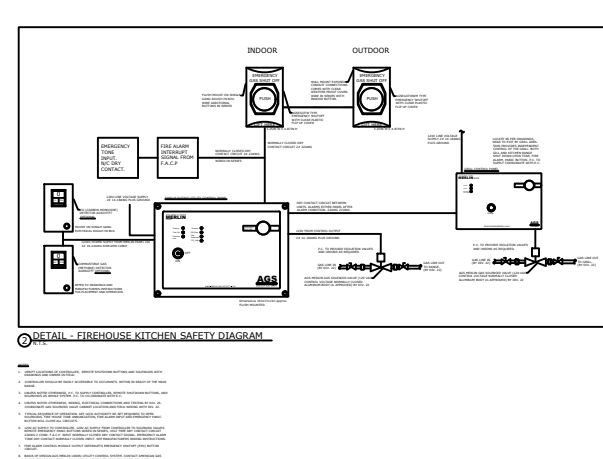
KITCHEN RANGE GAS AND RANGE ELECTRICS



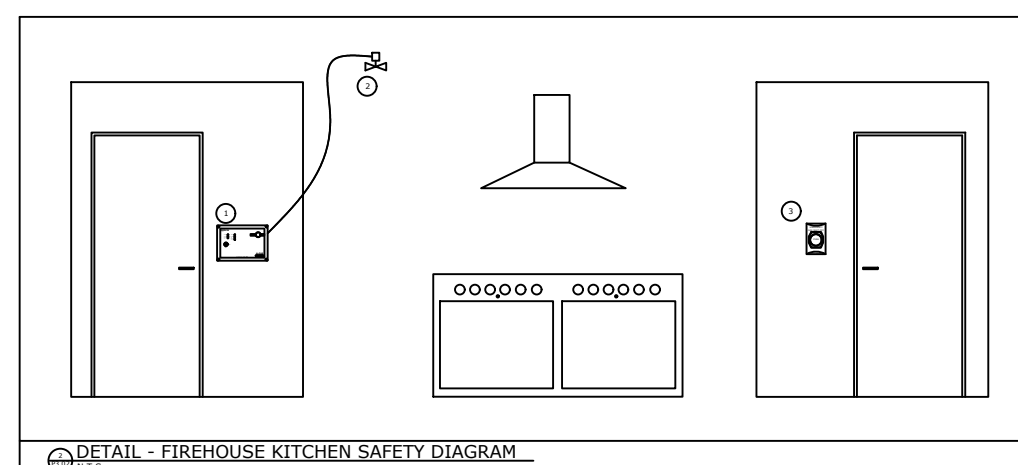
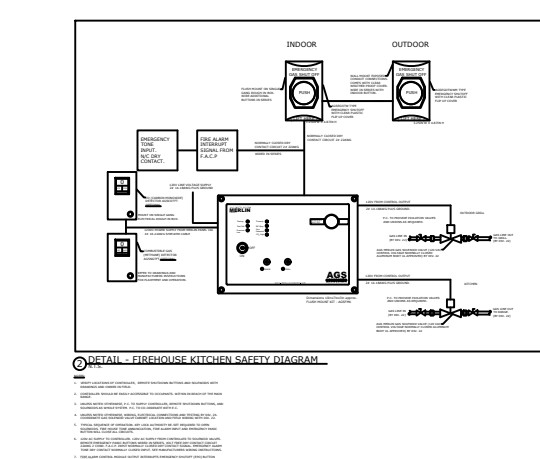
KITCHEN RANGE GAS, OUTDOOR GRILL PANIC SHUT OFF ONLY



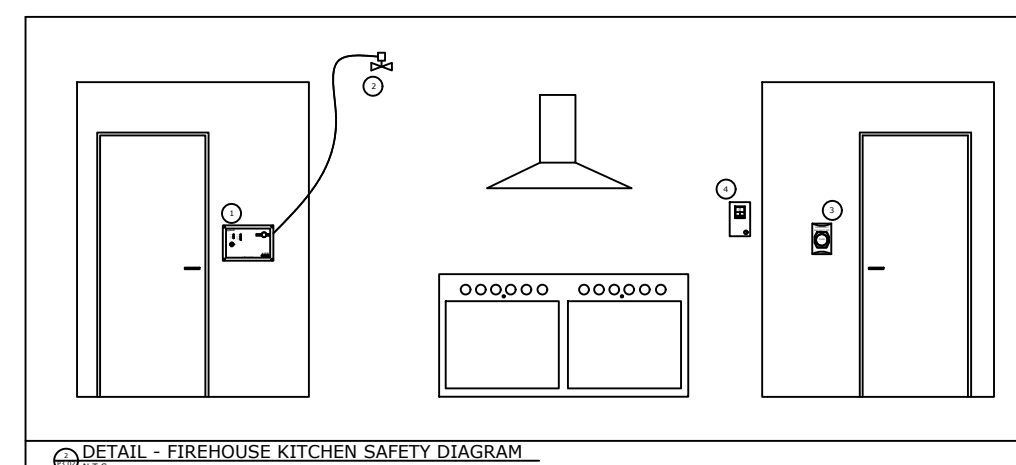
KITCHEN RANGE GAS, OUTDOOR GRILL INDEPENDENT CONTROL, INTEGRATED SHUT-OFF



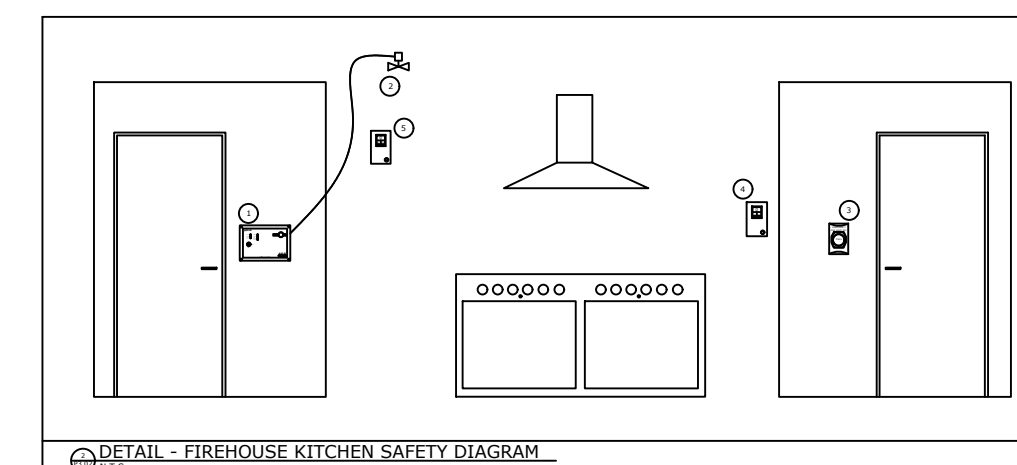
INDEPENDENT CONTROL OF TWO GAS SUPPLIES, CONTROLLER CENTRALLY LOCATED



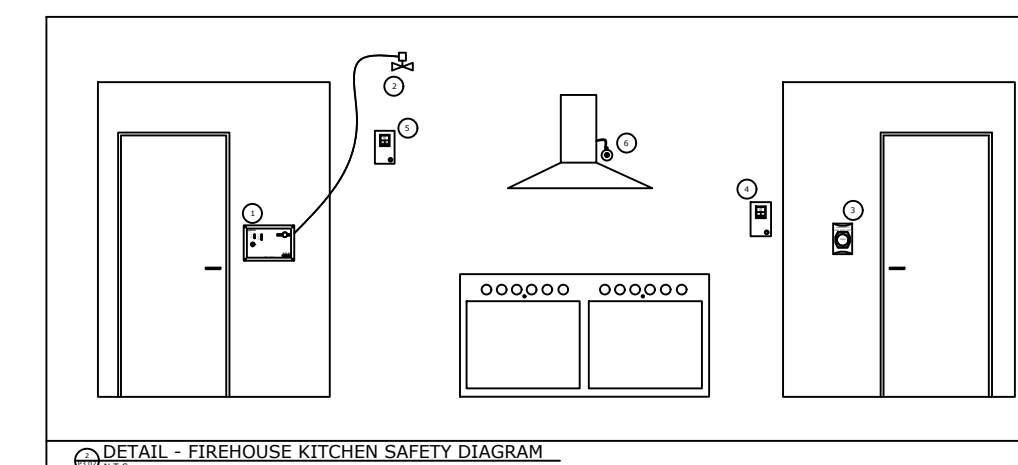
- PROVIDE GAS CONTROL PANEL WITH 120V OUTPUT TO GAS VALVE. MOUNT PANEL SUCH THAT THE BOTTOM EDGE IS AT LEAST 4'-0" ABOVE FLOOR FINISH. BRACKET AND TIE-IN PANEL SHALL RECEIVE INPUT FROM MANITHE PANIC BUTTON, FIRE ALARM AND BUILDING ANNUNCIATION PANEL. GAS DETECTOR TO BE WIRING TO MANITHE PANIC BUTTON. GAS VALVE SHUT DOWN FROM FIRE ALARM AND ANNUNCIATION CONTROL. BASIS OF DESIGN AGS MERLIN 1000S
- PROVIDE 110V/120V NORMALLY CLOSED SAFETY SHUT OFF SOLENOID. MOUNT IN CEILING AS SHOWN ON DRAWINGS. PROVIDE TIGHT AND ISOLATION VALVE FOR OUTDOOR GRILL. GAS VALVE TO BE WIRING TO GAS CONTROL PANEL 110V OUTPUT. BASIS OF DESIGN MERLIN 500
- WHERE SHOWN ON DRAWINGS PROVIDE TIGHT RELEASE MANITHE PANIC BUTTON WITH RED BUTTON IN A YELLOW POLYCARBONATE CASE. PROVIDE BUTTON WITH CLEAR FLAT TOP COVER. BUTTON SHALL BE LABELED "EMERGENCY GAS SHUT OFF". MOUNT BUTTON IN DEEP ELECTRICAL BOX AT MIN. 4'-0" HIG. WIRE BUTTON BACK TO GAS CONTROL PANEL VIA 1/2" LANSI CABLE IN A NORMALLY CLOSED LOOP. WIRE ADDITIONAL BUTTONS IN SERIES.



- PROVIDE GAS CONTROL PANEL WITH 120V OUTPUT TO GAS VALVE. MOUNT PANEL SUCH THAT THE BOTTOM EDGE IS AT LEAST 4'-0" ABOVE FLOOR FINISH. BRACKET AND TIE-IN PANEL SHALL RECEIVE INPUT FROM MANITHE PANIC BUTTON, FIRE ALARM AND BUILDING ANNUNCIATION PANEL. GAS DETECTOR TO BE WIRING TO MANITHE PANIC BUTTON. GAS VALVE SHUT DOWN FROM FIRE ALARM AND ANNUNCIATION CONTROL. BASIS OF DESIGN AGS MERLIN 1000S
- PROVIDE 110V/120V NORMALLY CLOSED SAFETY SHUT OFF SOLENOID. MOUNT IN CEILING AS SHOWN ON DRAWINGS. PROVIDE TIGHT AND ISOLATION VALVE FOR OUTDOOR GRILL. GAS VALVE TO BE WIRING TO GAS CONTROL PANEL 110V OUTPUT. BASIS OF DESIGN MERLIN 500
- WHERE SHOWN ON DRAWINGS PROVIDE TIGHT RELEASE MANITHE PANIC BUTTON WITH RED BUTTON IN A YELLOW POLYCARBONATE CASE. PROVIDE BUTTON WITH CLEAR FLAT TOP COVER. BUTTON SHALL BE LABELED "EMERGENCY GAS SHUT OFF". MOUNT BUTTON IN DEEP ELECTRICAL BOX AT MIN. 4'-0" HIG. WIRE BUTTON BACK TO GAS CONTROL PANEL VIA 1/2" LANSI CABLE IN A NORMALLY CLOSED LOOP. WIRE ADDITIONAL BUTTONS IN SERIES.
- PROVIDE CARBON MONOXIDE DETECTOR AND INTERLOCK WITH GAS CONTROL PANEL. MOUNT ON DEEP ELECTRICAL BOX IN NON 2-2" BELOW CEILING HEIGHT AWAY FROM RANGE AND GRILL. SEE MANUFACTURER'S INSTALLATION INSTRUCTIONS FOR LOCATION. KEEP DETECTOR MIN. 4'-0" FROM RANGE AND AWAY FROM EXHAUST. DETECTOR TO BE POWERED BY GAS CONTROL PANEL VIA 1/2" LANSI CABLE. DETECTOR TO PROVIDE PPM DISPLAY AND A CONVENIENT COLORED DISPLAY. BASIS OF DESIGN AGSCOTFT



- PROVIDE GAS CONTROL PANEL WITH 120V OUTPUT TO GAS VALVE. MOUNT PANEL SUCH THAT THE BOTTOM EDGE IS AT LEAST 4'-0" ABOVE FLOOR FINISH. BRACKET AND TIE-IN PANEL SHALL RECEIVE INPUT FROM MANITHE PANIC BUTTON, FIRE ALARM AND BUILDING ANNUNCIATION PANEL. GAS DETECTOR TO BE WIRING TO MANITHE PANIC BUTTON. GAS VALVE SHUT DOWN FROM FIRE ALARM AND ANNUNCIATION CONTROL. BASIS OF DESIGN AGS MERLIN 1000S
- PROVIDE 110V/120V NORMALLY CLOSED SAFETY SHUT OFF SOLENOID. MOUNT IN CEILING AS SHOWN ON DRAWINGS. PROVIDE TIGHT AND ISOLATION VALVE FOR OUTDOOR GRILL. GAS VALVE TO BE WIRING TO GAS CONTROL PANEL 110V OUTPUT. BASIS OF DESIGN MERLIN 500
- WHERE SHOWN ON DRAWINGS PROVIDE TIGHT RELEASE MANITHE PANIC BUTTON WITH RED BUTTON IN A YELLOW POLYCARBONATE CASE. PROVIDE BUTTON WITH CLEAR FLAT TOP COVER. BUTTON SHALL BE LABELED "EMERGENCY GAS SHUT OFF". MOUNT BUTTON IN DEEP ELECTRICAL BOX AT MIN. 4'-0" HIG. WIRE BUTTON BACK TO GAS CONTROL PANEL VIA 1/2" LANSI CABLE IN A NORMALLY CLOSED LOOP. WIRE ADDITIONAL BUTTONS IN SERIES.
- PROVIDE CARBON MONOXIDE DETECTOR AND INTERLOCK WITH GAS CONTROL PANEL. MOUNT ON DEEP ELECTRICAL BOX IN NON 2-2" BELOW CEILING HEIGHT AWAY FROM RANGE AND GRILL. SEE MANUFACTURER'S INSTALLATION INSTRUCTIONS FOR LOCATION. KEEP DETECTOR MIN. 4'-0" FROM RANGE AND AWAY FROM EXHAUST. DETECTOR TO BE POWERED BY GAS CONTROL PANEL VIA 1/2" LANSI CABLE. DETECTOR TO PROVIDE PPM DISPLAY AND A CONVENIENT COLORED DISPLAY. BASIS OF DESIGN AGSCOTFT
- PROVIDE AIR DIFFERENTIAL SWITCH INTERLOCKED WITH GAS CONTROL PANEL. GAS TO ONLY BE SHUT OFF WHEN FIRE IS SHOWN. MOUNT MAIN DISCONNECT AND CONTACTOR TO GAS CONTROL PANEL VIA 1/2" LANSI NORMALLY CLOSED SAFETY CONTACTOR. BASIS OF DESIGN GCSG



- PROVIDE GAS CONTROL PANEL WITH 120V OUTPUT TO GAS VALVE. MOUNT PANEL SUCH THAT THE BOTTOM EDGE IS AT LEAST 4'-0" ABOVE FLOOR FINISH. BRACKET AND TIE-IN PANEL SHALL RECEIVE INPUT FROM MANITHE PANIC BUTTON, FIRE ALARM AND BUILDING ANNUNCIATION PANEL. GAS DETECTOR TO BE WIRING TO MANITHE PANIC BUTTON. GAS VALVE SHUT DOWN FROM FIRE ALARM AND ANNUNCIATION CONTROL. BASIS OF DESIGN AGS MERLIN 1000S
- PROVIDE 110V/120V NORMALLY CLOSED SAFETY SHUT OFF SOLENOID. MOUNT IN CEILING AS SHOWN ON DRAWINGS. PROVIDE TIGHT AND ISOLATION VALVE FOR OUTDOOR GRILL. GAS VALVE TO BE WIRING TO GAS CONTROL PANEL 110V OUTPUT. BASIS OF DESIGN MERLIN 500
- WHERE SHOWN ON DRAWINGS PROVIDE TIGHT RELEASE MANITHE PANIC BUTTON WITH RED BUTTON IN A YELLOW POLYCARBONATE CASE. PROVIDE BUTTON WITH CLEAR FLAT TOP COVER. BUTTON SHALL BE LABELED "EMERGENCY GAS SHUT OFF". MOUNT BUTTON IN DEEP ELECTRICAL BOX AT MIN. 4'-0" HIG. WIRE BUTTON BACK TO GAS CONTROL PANEL VIA 1/2" LANSI CABLE IN A NORMALLY CLOSED LOOP. WIRE ADDITIONAL BUTTONS IN SERIES.
- PROVIDE CARBON MONOXIDE DETECTOR AND INTERLOCK WITH GAS CONTROL PANEL. MOUNT ON DEEP ELECTRICAL BOX IN NON 2-2" BELOW CEILING HEIGHT AWAY FROM RANGE AND GRILL. SEE MANUFACTURER'S INSTALLATION INSTRUCTIONS FOR LOCATION. KEEP DETECTOR MIN. 4'-0" FROM RANGE AND AWAY FROM EXHAUST. DETECTOR TO BE POWERED BY GAS CONTROL PANEL VIA 1/2" LANSI CABLE. DETECTOR TO PROVIDE PPM DISPLAY AND A CONVENIENT COLORED DISPLAY. BASIS OF DESIGN AGSCOTFT
- PROVIDE AIR DIFFERENTIAL SWITCH INTERLOCKED WITH GAS CONTROL PANEL. GAS TO ONLY BE SHUT OFF WHEN FIRE IS SHOWN. MOUNT MAIN DISCONNECT AND CONTACTOR TO GAS CONTROL PANEL VIA 1/2" LANSI NORMALLY CLOSED SAFETY CONTACTOR. BASIS OF DESIGN GCSG