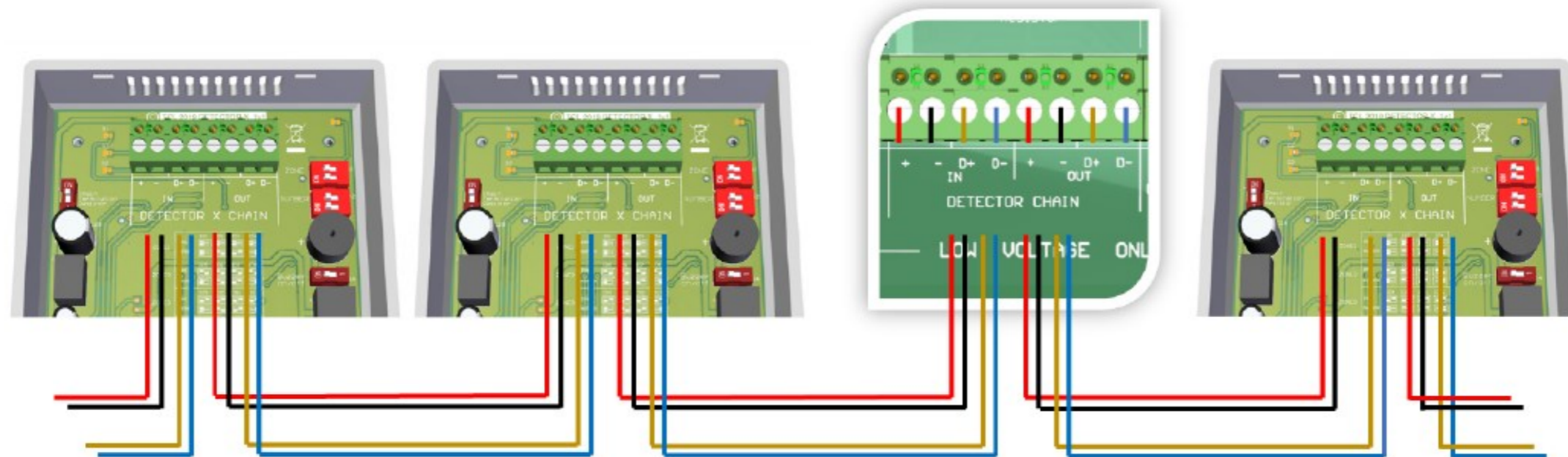
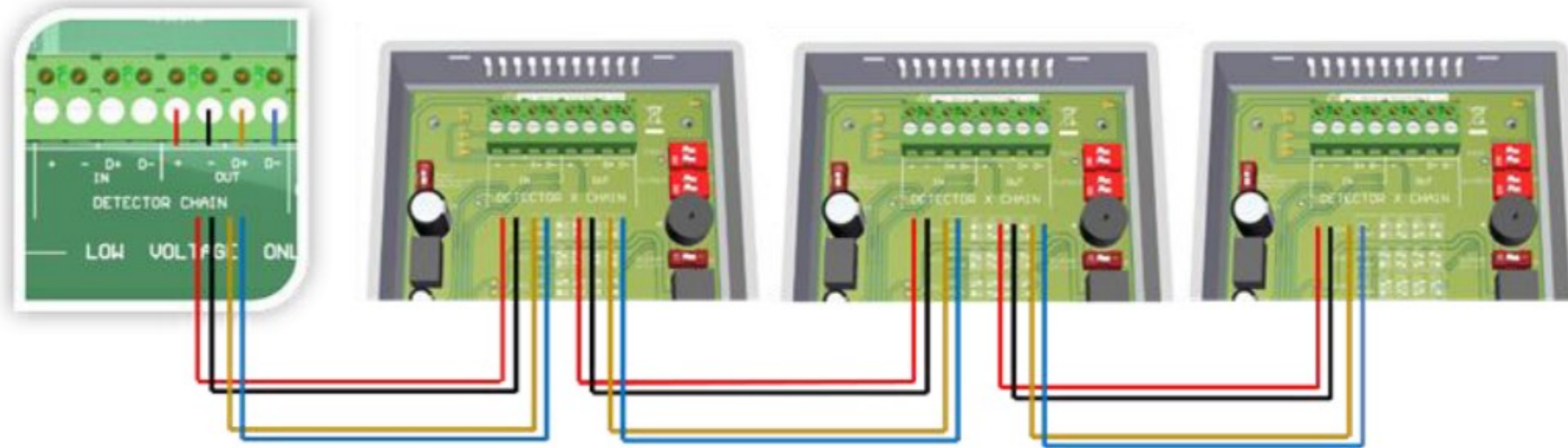


Multiple Detector Chain System - Typical Wiring Example



— 12-24V POWER +/-
— DATA SIGNAL 0+/0-



Client

Job Title

Drawing Title

Notes

All discrepancies between information shown on the drawing and information in the specification to be referred to American Gas Safety prior to proceeding.

Copyright in all documents and drawings prepared by American Gas Safety and any work executed from these documents shall, unless otherwise agreed, remain the property of American Gas Safety.

Amendments

Scale	Date	Drawn
N.T.S.		BT

Drg. No.	Rev.
	1