



## Merlin4INF

2-way, internally piloted, normally closed solenoid valve with assisted lift.

Model	Pipe Size	STANDARD PRESSURE ACTUATORS				HIGH PRESSURE ACTUATORS			
		M.O.P.D.		Max. Rated Pressure		M.O.P.D.		Max. Rated Pressure	
STANDARD PRESSURE VALVES <b>Merlin4INF</b>	<b>4" Flanged</b>	3 PSI	340 mbar	15 PSI	1.0 Bar	5 PSI	340 mbar	15 PSI	1.0 Bar

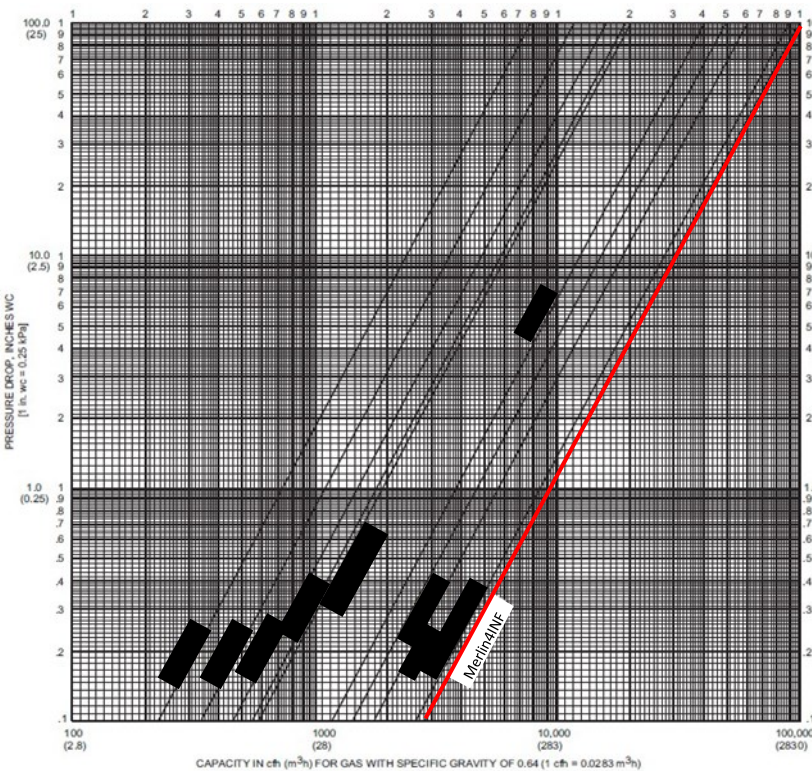


Fig. 2. Flow Curves for Merlin4INF

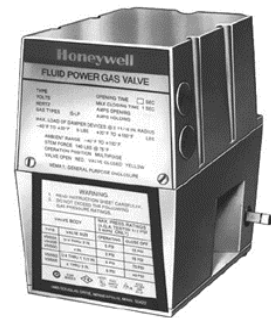
The Merlin4INF Gas Valve is designed for ON-OFF Service.

**Nominal Opening Time:**

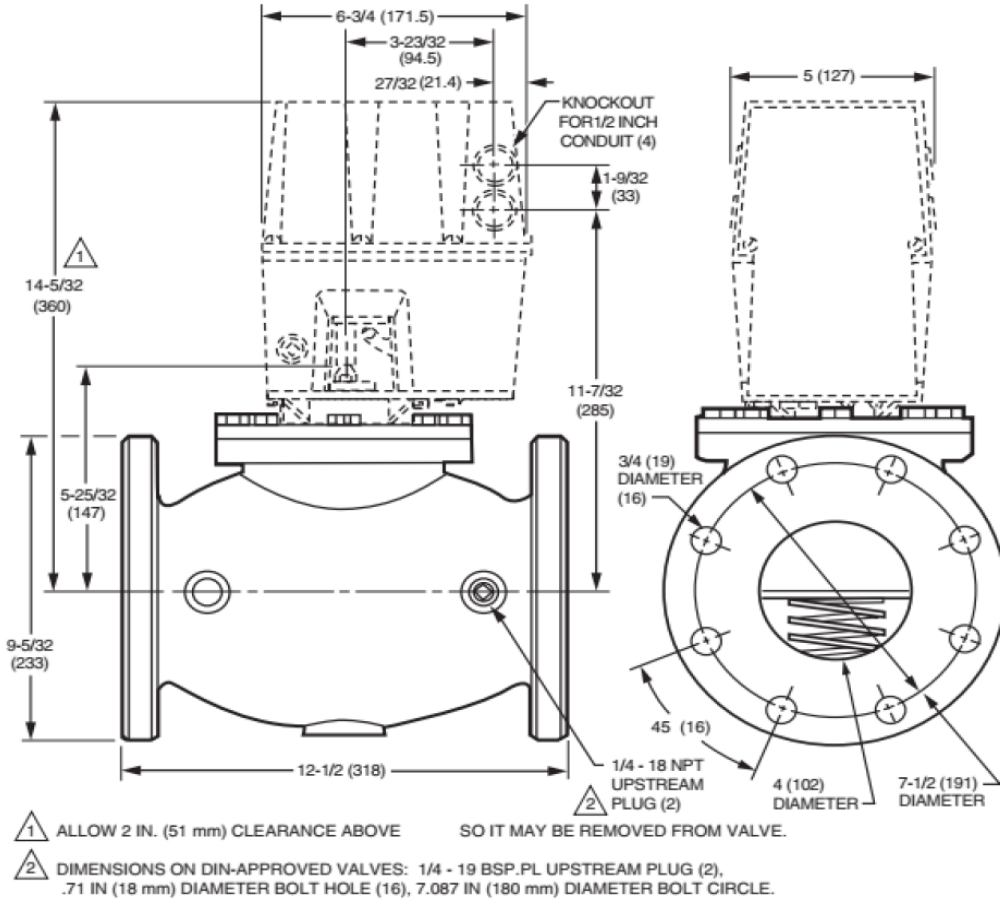
Standard models: 26 sec at 60 Hz; 32 sec at 50 Hz.  
 Fast-opening models: 13 sec at 60Hz; 16 sec at 50Hz.

**Closing Time:**

One second maximum  
 Low-fire Adjustment



**Dimensions**



**Technical Specifications**

	Opening				Holding		
	Inrush	W	A	VA	W	A	VA
120/60	3.9	50.0	0.94	115	9.5	0.12	14

MERLIN 4INF	M.O.P.D Max Operating Pressure Differential		Max. Rated Pressure	
		3 PSI	207 mbar	5 PSI

	CSA Rated Capacity	
	Cf/h	Cu m/hr
MERLIN 4INF	10200	288.8

**Gas Safety Systems**

**Utility Control**