

# Emergency Shut-Off Button



## Description

The AGS-EPOKL, multipurpose push button to be used for a wide range of applications commonly used with the AGS Merlin range of gas safety systems.

The AGS-EPOKL is key re-set, flush mounted and comes with a clear protective cover to prevent accidental activations.

## Key Features

- > Protects against vandalism, accidental damage, dust and grime
- > For Indoor use only
- > Key-Lock Release Reset
- > ADA Compliant

## General Information

- > Three year guarantee against breakage of polycarbonate in normal use (one year on electromechanical and electronic components).

## Design

- > Unique, curved design helps protect against accidental activation.

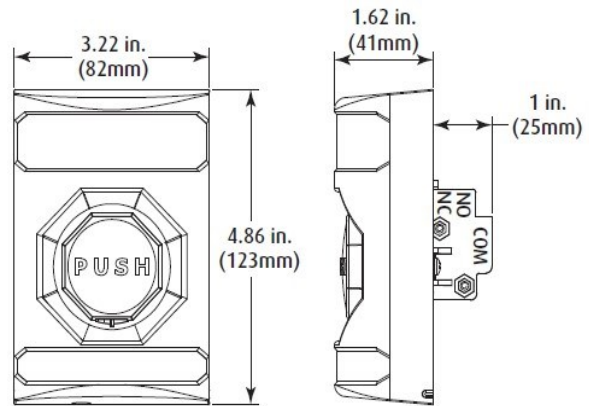
## Construction

- > Station housing moulded of tough polycarbonate.
- > UL Listed to U.S. and Canadian safety standards.

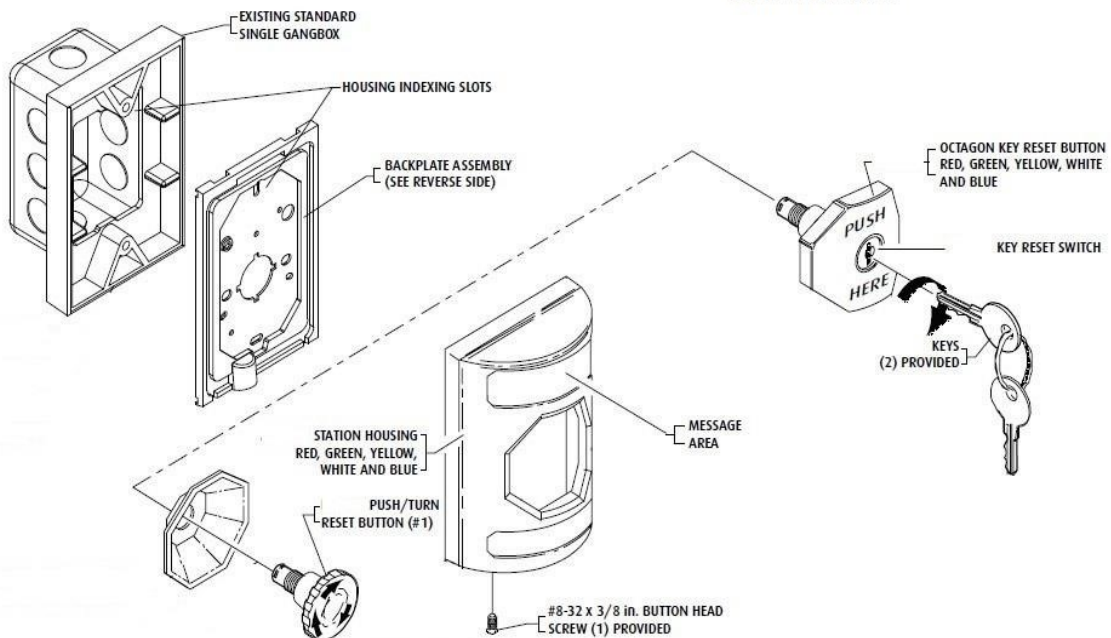
## Installation

- > 5VA flammability rating on back plate and spacer.
- > Typical working properties of polycarbonate are -40° to 250°F (-40° to 121°C).
- > Polycarbonate complies with FDA regulations for food contact applications.

# Emergency Shut-Off Button



MODELS  
WITHOUT BACK BOX



## Important Notice

The AGS-EPOKL is intended to be used in areas where the incidence of false alarms from manual pull stations is high or has proven to be a serious problem. Any disadvantage of this device is more than balanced when one considers the consequences of false alarms, especially if fire service personnel and equipment are responding to a false fire alarm when they are needed for a real fire somewhere else. Addition to this, the disruption to the facility when false alarms occur. If you have, or may have, a problem with false fire alarms or physical/weather damage to your fire alarm activation devices, the AGS-EPOKL could prove invaluable.