

# AGSFS1

## Datasheet

### Single Fan Switch



### Product Overview

The FS1 is a micro controller based single fan switch to automatically switch fan ON and OFF. The FS1 has been designed to work together with the Merlin range of utility systems to add extra functionality and provide simplicity to the user.

The panel also features a selectable power off delay to allow residual fumes to dissipate and a manual override. The control panel is designed for surface mounting using 4 mounting screws. A flush mount kit is available (sold separately).

### Key Features

- ✓ Automatically switches fan on and off.
- ✓ Selectable power off delay to allow residual fumes to dissipate.
- ✓ Manual key switch override of the fans.
- ✓ Designed to work in conjunction with the Merlin range of utility systems.
- ✓ Colored LED panel status

### Power-Down Delay Settings

S1	S2	MIN	Status
OFF	OFF	60	Power to the fans will be removed 60 minutes after the Merlin utility controller is turned off or in fault condition.
ON	OFF	40	Power to the fans will be removed 40 minutes after the Merlin utility controller is turned off or in fault condition.
OFF	ON	20	Power to the fans will be removed 20 minutes after the Merlin utility controller is turned off or in fault condition.
ON	ON	0	No delay. Power to the fans will be removed instantly when the Merlin utility controller is turned off or in fault condition.

### LED Status (Fan ON)

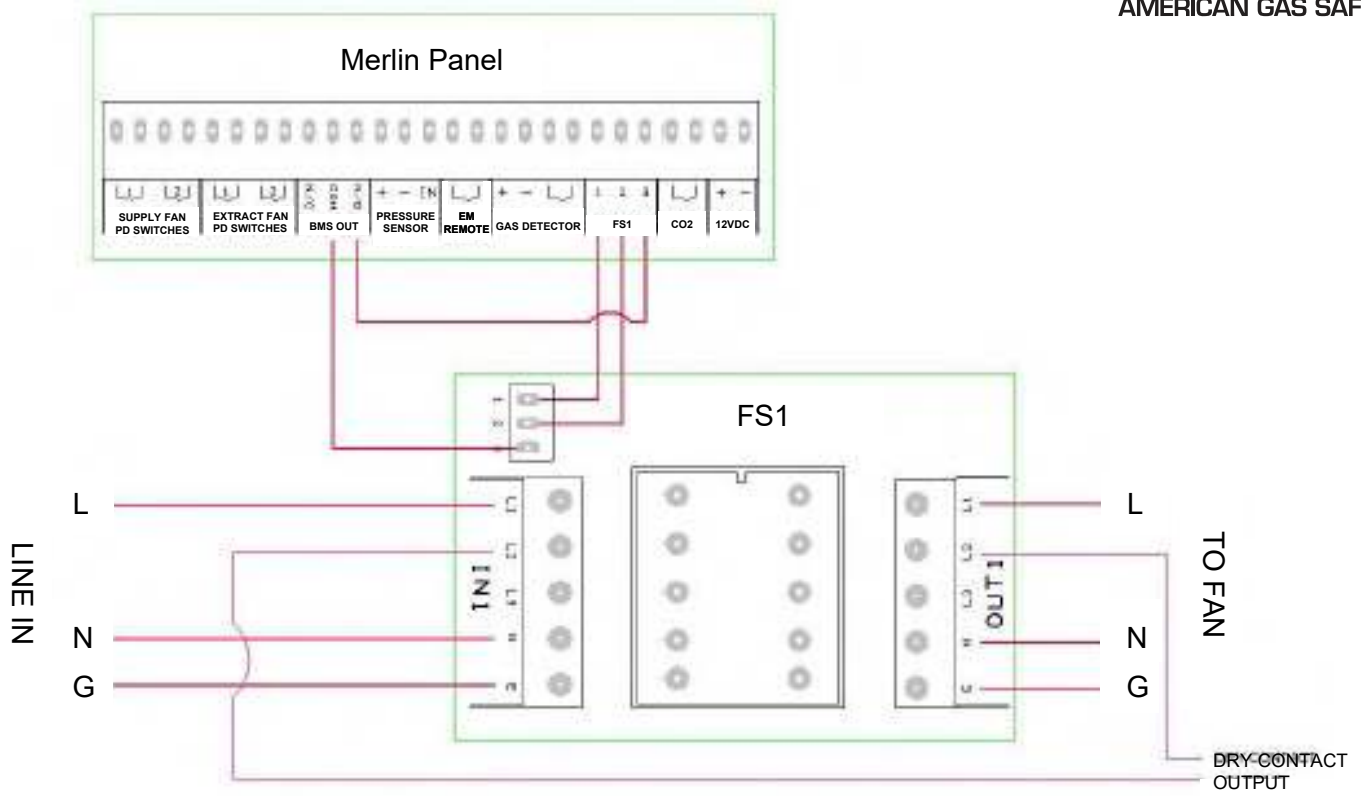
- (RED) - Power to fan enabled
- (FLASHING) - Purge mode
- (NO LED) - Power to fan disabled

### Manual Override

The ON and OFF switch mounted on the fascia of the FS1 panel can be used to manually turn the fan ON and OFF without using the associated Merlin utility controller.

There is no-power down time delay in the manual override mode.

# FS1 Wiring Diagram



Find out more

**American Gas Safety LLC**

[www.americangassafety.com](http://www.americangassafety.com)

Head office:

6304 Benjamin Road, Suite 502, Tampa, FL 33634

Tel: (727) 608-4375

Email: [info@americangassafety.com](mailto:info@americangassafety.com)

