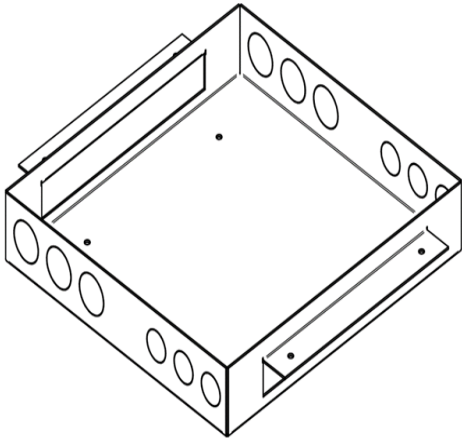


Flush Mounting Bracket 500/GDP



Description

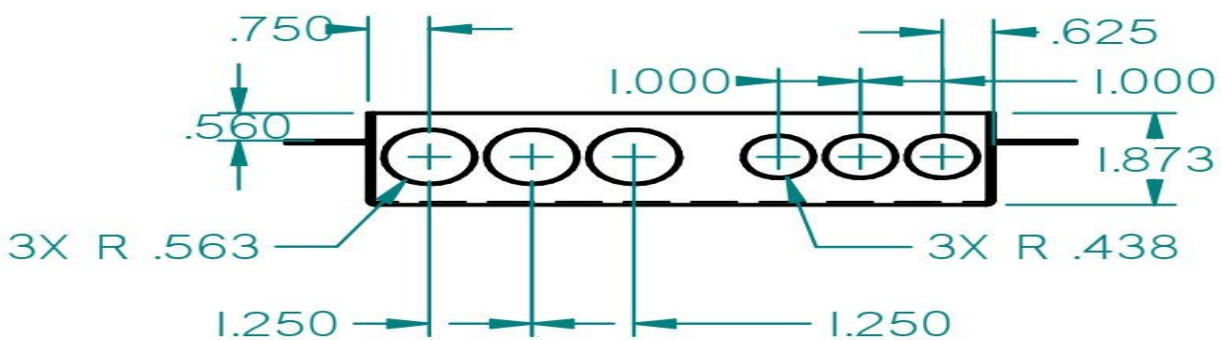
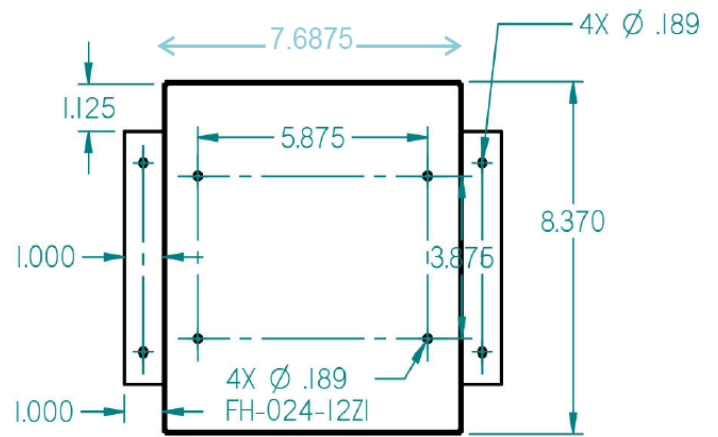
The AGSMK500 Flush Mount bracket is similar to an electrical rough in box. It allows for the electrical conduit to be brought to a space in the wall without the installation of the Merlin Control Panel. This allows the Merlin Panel to be installed at a later date during the project. The bracket is designed for both CMU block work installs and for Stud or Framed walls installs. Fold out the wing brackets for the Stud or Framed wall type installs, leave them in place for a CMU block install.

Technical Specifications

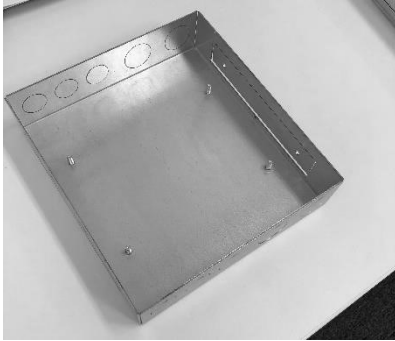
The bracket is manufactured from 16 gauge galvanized steel with bend out wings and conduit connectors. The bracket comes with location threads for the Merlin Panel to be secured to the bracket. There is a 1.5inch gap top and bottom to ease the installation of the conduit and the Merlin Panel.

If the Merlin Panel is to be installed in a fire rated wall the flush mount bracket can be surrounded by a fire blanket prior to installation.

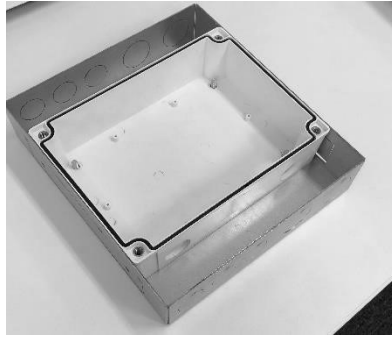
Dimensions



Bracket Allows Electrical Wires to be Pulled Before Installing the Merlin Panel



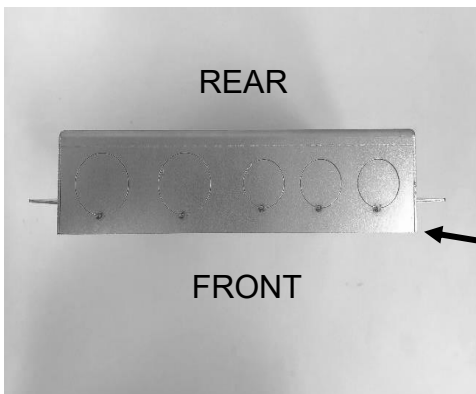
Bracket comes with knock outs for conduit top and bottom. Use mounting hardware to secure the bracket in place. Note: additional holes may be drilled through the



Merlin panel is secured in place with provided hardware. Space above and beneath the Merlin panel allows for easier installation of conduit connectors.



Fold out wing brackets for framed installation. The wings provide a 1/2" space to allow for drywall install.



Flush with Finished Surface

Install the bracket so that the leading edge is flush with the finished surface. This will allow the Merlin panels fascia to be proud of the finished surface.

Leading edge, flush with finished surface



IMPORTANT

The Flush Mount Kit comes with a decorative surround strip that covers the gap between the bracket and the Merlin Panel. The surround is 1/4" thick white HDPE plastic and is secured in place with construction adhesive. Allow 2+1/4in perimeter around the Merlin panel install to accept the decorative surround.