

# AGS

AMERICAN GAS SAFETY

UL US LISTED

## AGS1000S+i Datasheet

### Dual Output Utility Controller



UL 61010 Listed  
Controller



Clear LEDs Display  
System Indications



Keyed ON/OFF  
Authority Over  
Utilities



BMS & Fire Panel  
Connectivity



QR Code For  
Quick Access  
To Product  
Information



Automatic Emergency  
Utility Shutdown In  
Alarm



Front Mounted  
Panic Button For  
Quick Shutdown



Automatic Time-Out  
Feature (Disabled, 2, 4  
or 8 hours)

## Product Overview

The UL 61010 listed Merlin 1000S+i Laboratory Utility Controller has been designed specifically for use in School and University Laboratories. The Merlin 1000S+i is designed to give the teacher full control over the incoming gas supply with the lockable key-switch operation & touch buttons. Its built-in connectivity allows for connection to existing fire alarm and building management systems and with its easy-to-use system status panel and labeled PCB the Merlin 1000S+i is easy to install and to operate.

The Merlin 1000S+i can work in conjunction with carbon dioxide, natural gas, carbon monoxide and LPG sensors. The Merlin 1000S+i also has a built-in "timeout" facility which will automatically shut off the gas solenoid valve at the end of a specific time period; this time period can be adjusted to 2, 4, 8 hours or can be overridden if required.

### Popular Applications:

- ✓ K-12 and Higher Education Science Classrooms
- ✓ Automatic Isolation Of Gas Supply Upon Gas Detection, Fire Alarm or Emergency Panic Button Activation
- ✓ Designed to meet NSTA guidelines & ICC Code.
- ✓ Keyed Utility Control with Emergency Shutdown

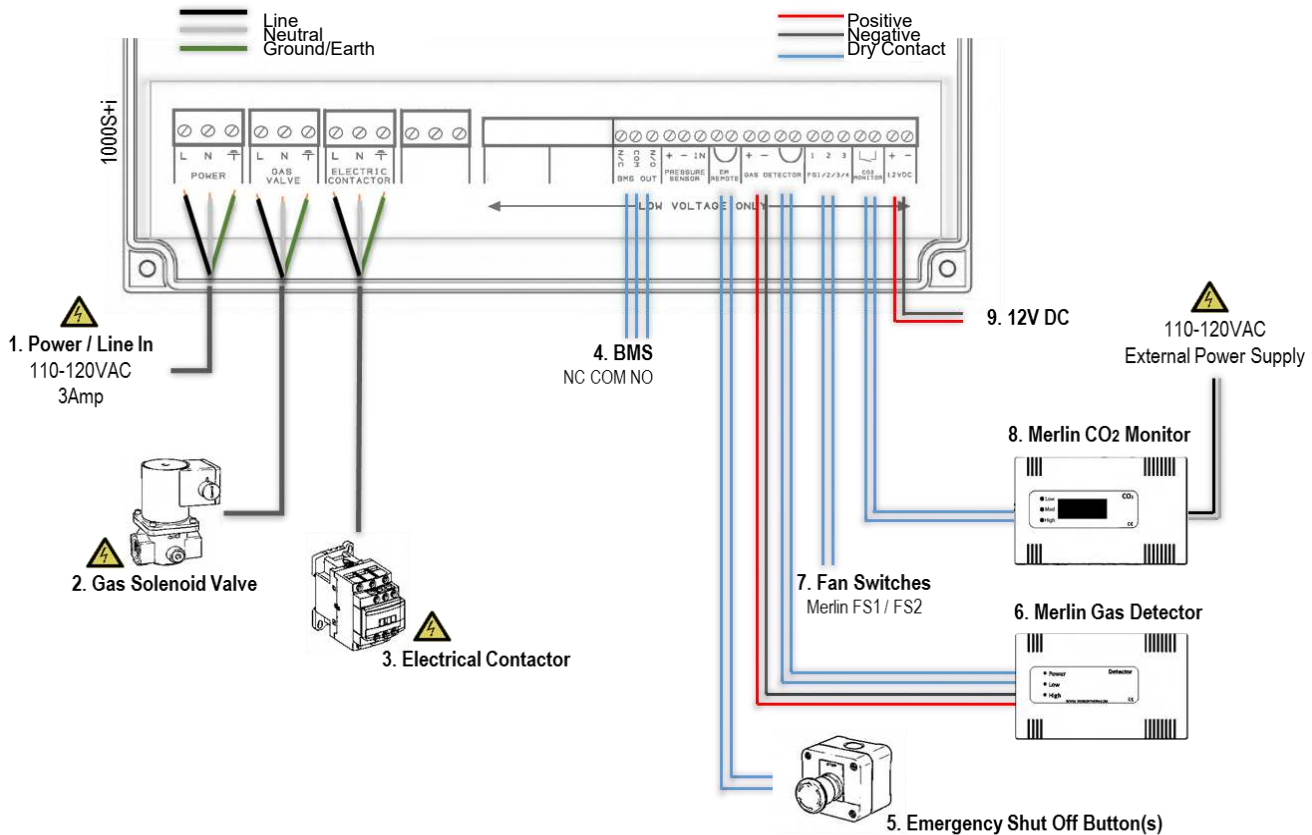
**FLUSH  
MOUNT  
KIT  
AVAILABLE**



## Product Specifications

Model:	Merlin 1000S+i
Visual Indication	LED
Mains Electrical Power Input	110-120VAC
Utility Output 1	110-120VAC
Utility Output 2	110-120VAC
Current Consumption	12W max (50mA) @ 120VAC
Internal Fuse	3.15A
Utility Outputs 1 & 2	3.15A
Operating Temperature	32 - 104°F 0-95%RH Non-Condensing
Audible Alarm Buzzer dB	65 dB (300mm distance in quiet conditions)
Housing Material	Polylac PA-765 Flame Retardant
Flame Rating	UL 94
UL Approval Reference	UL 61010-1 E464760
O/All Dimensions (H x W x D) inch	7.08 x 10 x 3.03"
Language:	English

## Merlin 1000S+i Wiring Example



Find out more

**American Gas Safety LLC**

[www.americangassafety.com](http://www.americangassafety.com)

Head office:

6304 Benjamin Road, Suite 502, Tampa, FL 33634

Tel: (727) 608-4375

Email: [info@americangassafety.com](mailto:info@americangassafety.com)

