



# AGS1000SW+i Datasheet

## Triple Output Utility Control



**UL 61010 Listed  
 Controller**



**Clear LEDs Display  
 System Indications**



**Keyed ON/OFF  
 Authority Over  
 Utilities**



**BMS & Fire Panel  
 Connectivity**



**QR Code For  
 Quick Access  
 To Product  
 Information**



**Automatic Emergency  
 Utility Shutdown In  
 Alarm**



**Front Mounted  
 Panic Button For  
 Quick Shutdown**



**Automatic Time-Out  
 Feature (Disabled, 2, 4  
 or 8 hours)**

## Product Overview

The UL 61010 listed Merlin 1000SW+i Laboratory Utility Controller has been designed specifically for use in School and University Laboratories. The Merlin 1000SW+i is designed to give the teacher full control over the incoming gas supply with the lockable key-switch operation & touch buttons. Its built-in connectivity allows for connection to existing fire alarm and building management systems and with its easy-to-use system status panel and labeled PCB the Merlin 1000SW+i is easy to install and to operate.

The Merlin 1000SW+i can work in conjunction with carbon dioxide, natural gas, carbon monoxide and LPG sensors. The Merlin 1000SW+i also has a built-in "timeout" facility which will automatically shut off the gas solenoid valve at the end of a specific time period, this time period can be adjusted to 2, 4, 8 hours or can be overridden if required.

## Popular Applications:

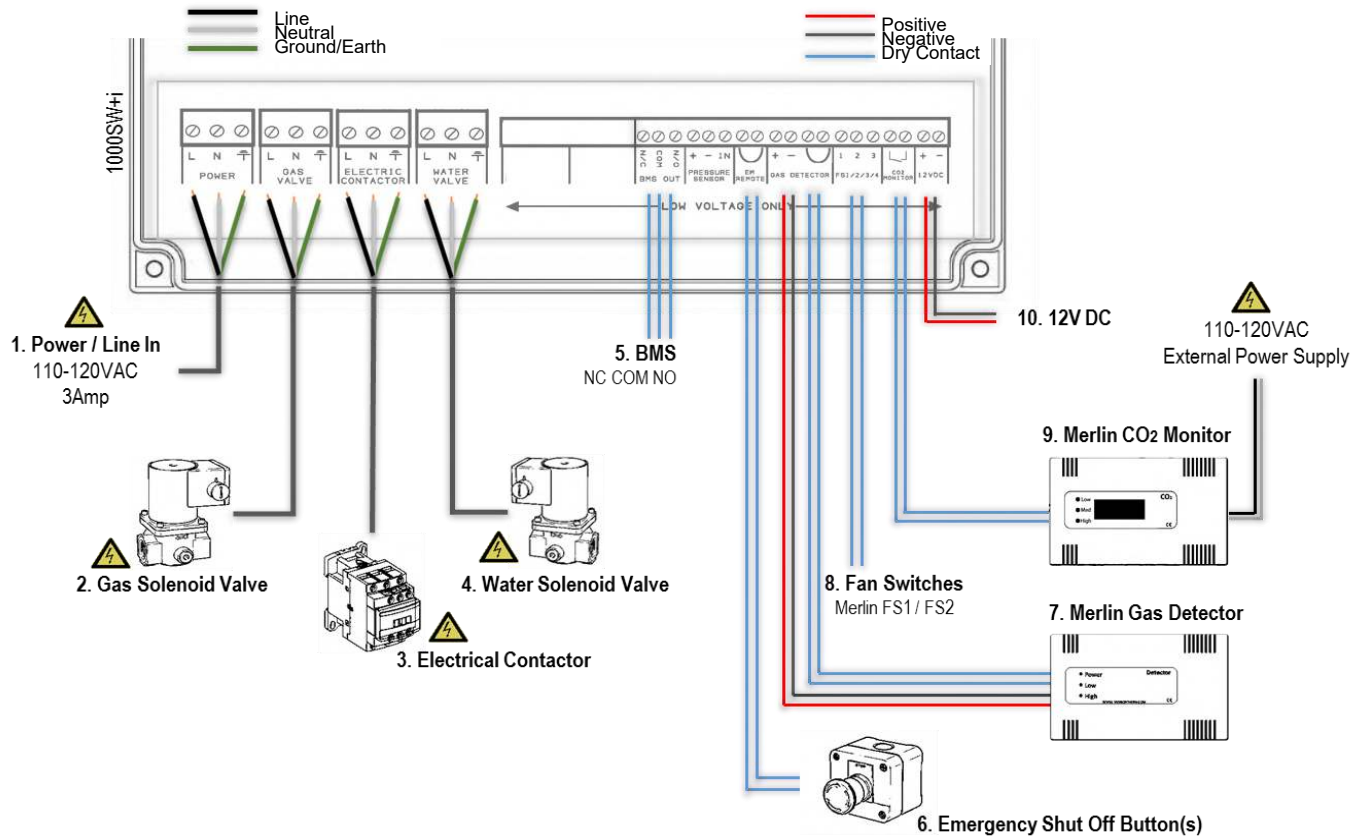
- ✓ K-12 and Higher Education Science Classrooms
- ✓ Automatic Isolation Of Utilities Supply Upon Gas Detection, Fire Alarm or Emergency Panic Button Activation
- ✓ Designed to meet NSTA guidelines & ICC Code.
- ✓ Keyed Utility Control with Emergency Shutdown



## Product Specifications

Model:	Merlin 1000SW+i
Visual Indication	LED
Mains Electrical Power Input	110-120VAC
Utility Output 1	110-120VAC
Utility Output 2	110-120VAC
Utility Output 3	110-120VAC
Current Consumption	12W max (50mA) @ 120VAC
Internal Fuse	3.15A
Utility Outputs 1 / 2 / 3	3.15A
Operating Temperature	32 - 104°F 0-95%RH Non-Condensing
Audible Alarm Buzzer dB	65 dB (300mm distance in quiet conditions)
Housing Material	Polyac PA-765 Flame Retardant
Flame Rating	UL 94
UL Approval Reference	UL 61010-1 E464760
O/All Dimensions (H x W x D) inch	7.08 x 10 x 3.03"
Language:	English

## Merlin 1000SW+i Wiring Example



Find out more

**American Gas Safety LLC**

[www.americangassafety.com](http://www.americangassafety.com)

Head office:

6304 Benjamin Road, Suite 502, Tampa, FL 33634

Tel: (727) 608-4375

Email: [info@americangassafety.com](mailto:info@americangassafety.com)

