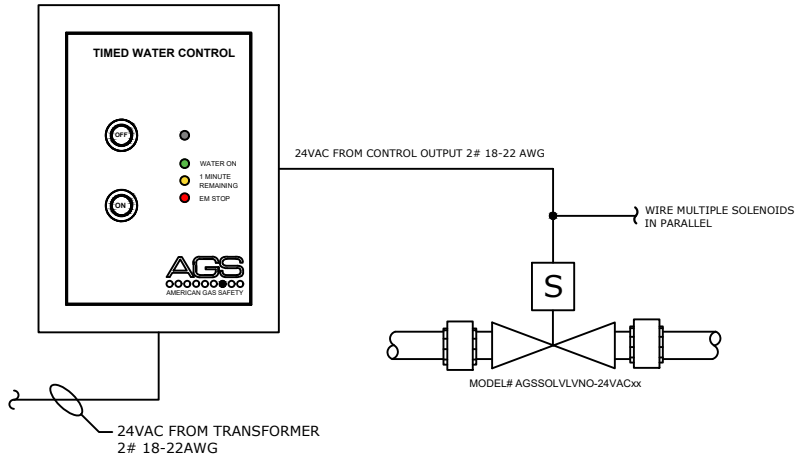


AGSTWC - 24VAC

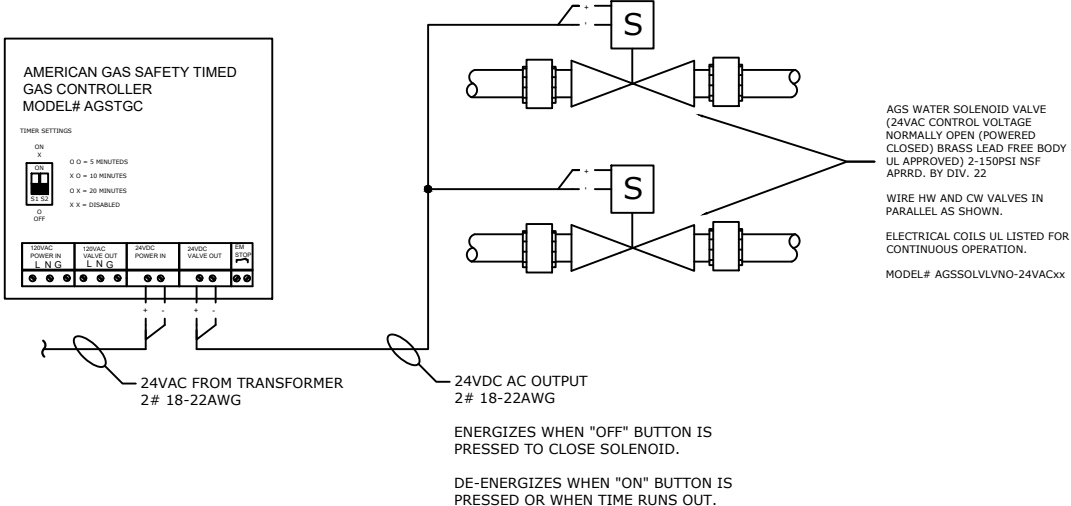
OVERVIEW



SEQUENCE OF OPERATION

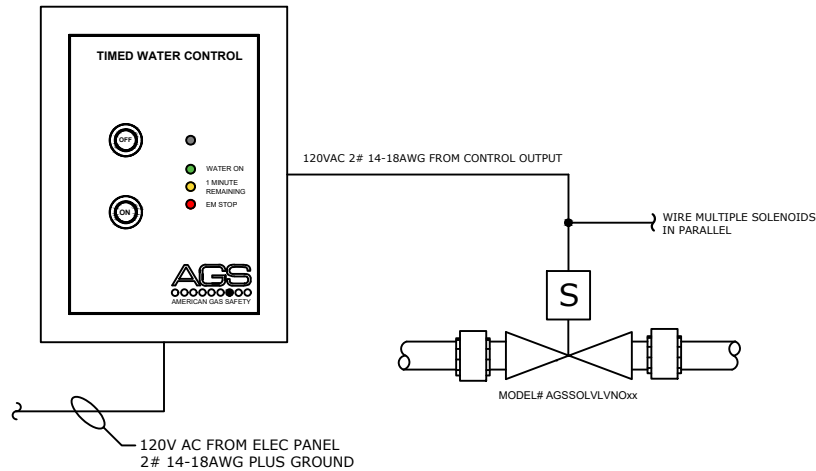
1. WATER SOLENOID VALVES.
 - 1.1. THIS SYSTEM USES NORMALLY OPEN WATER SOLENOID VALVES, WHICH MEANS THEY MUST BE ENERGIZED TO CLOSE.
2. "ON" BUTTON.
 - 2.1. ENERGIZES THE WATER SOLENOID VALVE TO CLOSE FOR SET TIME FUNCTION.
 - 2.2. TIME FUNCTION MAY BE CHANGED OR DISABLED.
3. "OFF" BUTTON
 - 3.1. DE-ENERGIZES THE WATER SOLENOID VALVE TO RE-OPEN THE WATER SOLENOID VALVE.

WIRING



AGSTWC - 120VAC

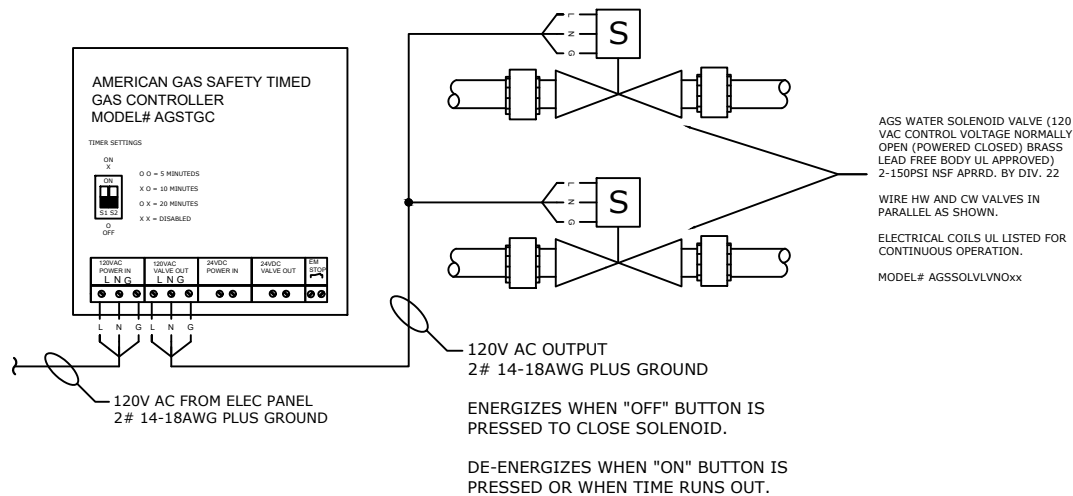
OVERVIEW



SEQUENCE OF OPERATION

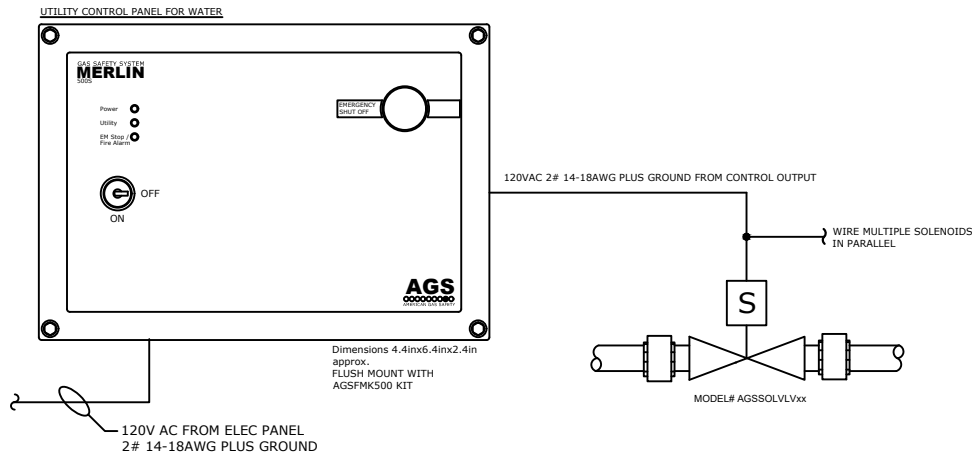
1. WATER SOLENOID VALVES.
 - 1.1. THIS SYSTEM USES NORMALLY OPEN WATER SOLENOID VALVES, WHICH MEANS THEY MUST BE ENERGIZED TO CLOSE.
2. "ON" BUTTON.
 - 2.1. ENERGIZES THE WATER SOLENOID VALVE TO CLOSE FOR SET TIME FUNCTION.
 - 2.2. TIME FUNCTION MAY BE CHANGED OR DISABLED.
3. "OFF" BUTTON
 - 3.1. DE-ENERGIZES THE WATER SOLENOID VALVE TO RE-OPEN THE WATER SOLENOID VALVE.

WIRING



MERLIN 500S - 120VAC

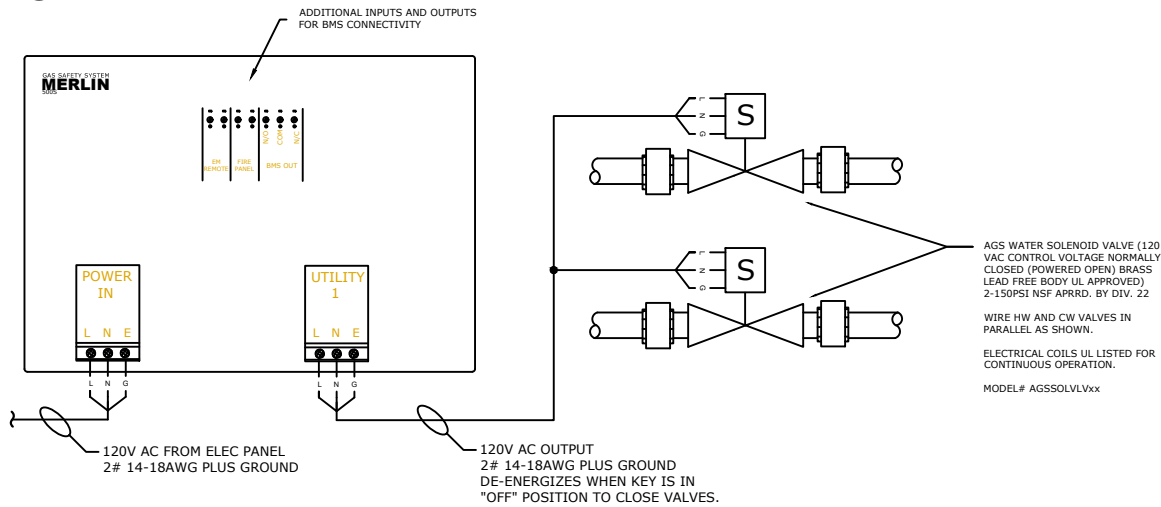
OVERVIEW



SEQUENCE OF OPERATION

1. SOLENOID VALVES
 - 1.1. THIS SYSTEM USES NORMALLY CLOSED SOLENOID VALVES, WHICH MEANS THEY MUST BE ENERGIZED OPEN.
2. KEY IN ON POSITION
 - 2.1. VALVES ARE ENERGIZED OPEN BY 120VAC OUTPUT
3. KEY IN OFF POSITION
 - 3.1. VALVES ARE DE-ENERGIZED
4. EMERGENCY INPUTS
 - 4.1. SYSTEM WILL DE-ENERGIZE THE SOLENOID VALVES AND DISPLAY EMERGENCY INPUT LED ON FRONT FASCIA
 - 4.2. MANUAL RESET REQUIRED VIA KEY TO RESTORE OPERATION
5. BMS OUT RELAY
 - 5.1. SWITCHES WHEN WATER IN ON/OFF OR WHEN SYSTEM WHEN EMERGENCY SHUTDOWN IS ACTIVATED.

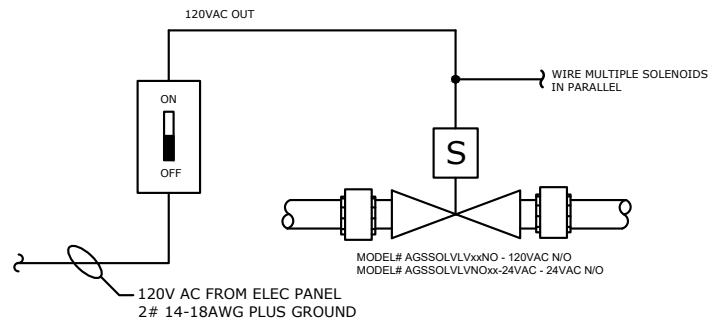
WIRING



SYSTEM WIRING

LIGHT SWITCH OPERATION

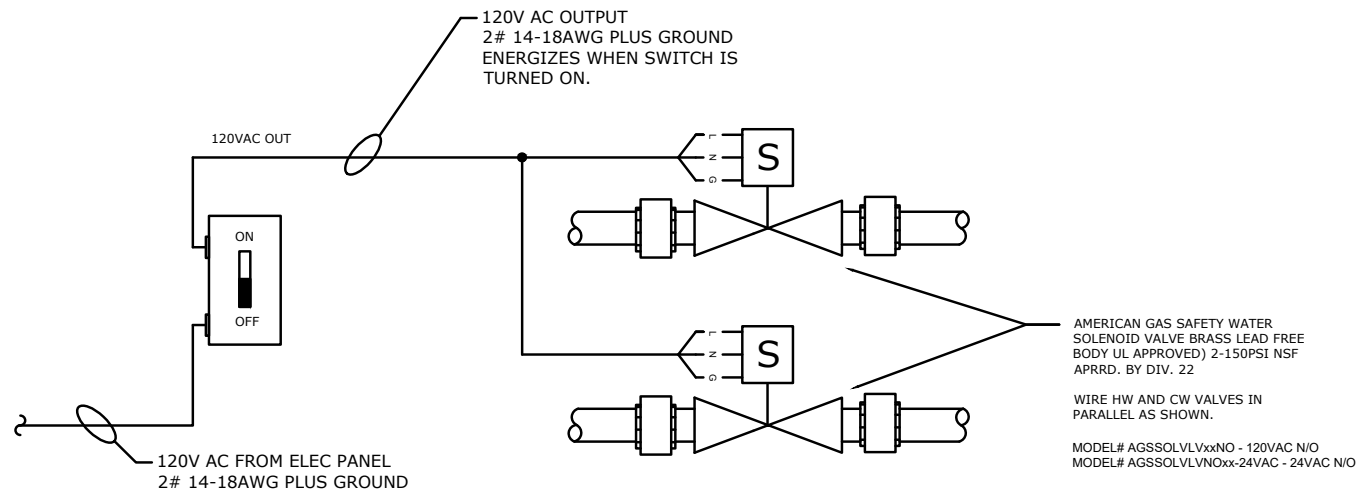
OVERVIEW



SEQUENCE OF OPERATION

1. WATER SOLENOID VALVES.
 - 1.1. THIS SYSTEM USES NORMALLY OPEN WATER SOLENOID VALVES, WHICH MEANS THEY MUST BE ENERGIZED TO CLOSE.
 - 1.2. VALVES MUST BE AGS SOLVLV SERIES.
2. SWITCH ON.
 - 2.1. ENERGIZES THE WATER SOLENOID VALVE TO CLOSE.
3. SWITCH OFF.
 - 3.1. DE-ENERGIZES THE WATER SOLENOID VALVE TO RE-OPEN.

WIRING



① **DETAIL - LAB WATER ON/OFF SWITCH 120VAC**
N.T.S.