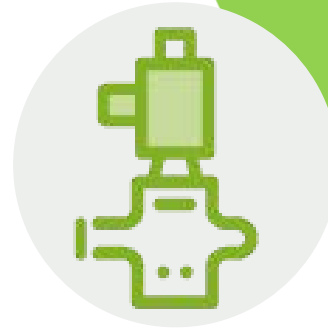


AGSGSV3

NPT Gas Solenoid
 Valves Normally Closed
 Safety Shut Off



120VAC Power
 Input



UL Listed



Normally Closed
 Safety Shutoff



2 1/2" to 3" NPT
 Available For This
 Model
 Various Other Sizes
 Also Available

Standards



Product Overview

The AGS range of normally closed, electrically operated gas valves provide safety shut down over combustible gas such as natural (Methane) and LP (Liquefied petroleum).

These valves are suitable for CSD-1 applications along with on/off control on water heaters, atmospheric boilers, roof top make up air units, power burners and commercial kitchen ranges.

Add manual re-set by incorporating an AGS controller or panic button.

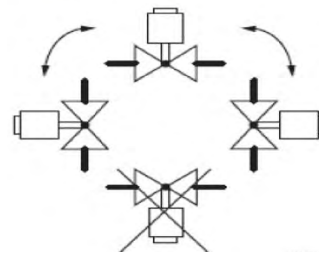
Features

- Zero Differential
- 0-2 PSI Max Working Pressure
- 110V AC
- 1/4" Inlet & Outlet Ports
- Body: Die Cast Aluminum
- Max Temp: 145°F
- Min Temp: -40°F

Approvals

UL YLOZ Automatic Shut Off Valves
 Complies with:
 AGA
 CSA/ANSI Z21.21-CGA6.5 FM
 CSD-1 Acceptable

Mounting Position



Metal shoe construction of the diaphragm allows for vertical installation, with less damage from debris and over pressure.



WARNING

If the flow is not in the same direction of arrow, valve may not shut off.

Technical Information:

Maximum Pressure:

Voltage / Frequency	Maximum Pressure (PSI)
110/120 Vac, 50/60 Hz	2.0

Current Draw

Pipe Size (Inch)	110Vac / 2PSI
3"	0.575A

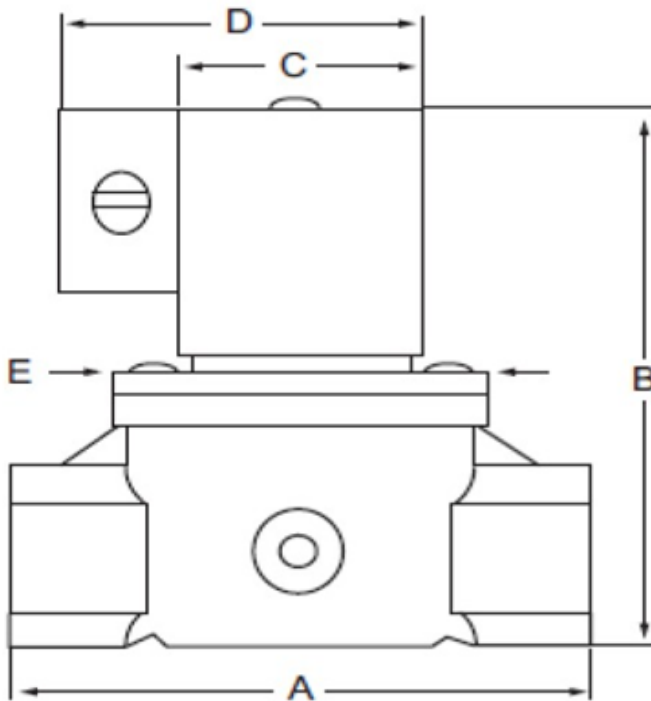
Capacity

CFH at Pressure Drop of 1-Inch Water Column sp. gr.=0.64

Pipe Size (Inch)	110Vac / 2PSI
3"	6,100

Dimensions

Pipe Size (Inch)	A	B	C	D	E
3"	9-1/2	12-3/4	4-9/16	6-1/8	7-7/8



Find out more

American Gas Safety LLC

www.americangassafety.com

Head office:

6304 Benjamin Road, Suite 502, Tampa, FL 33634

Tel: (727) 608-4375

Email: info@americangassafety.com

