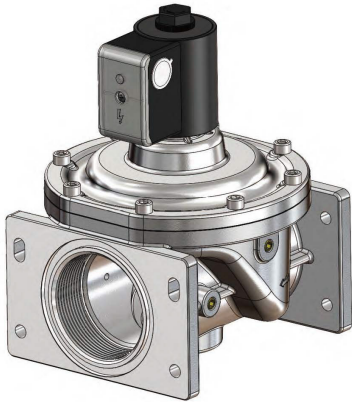


AGSGSV212-3 NPT Gas Solenoid Valves



Key Features:

- 120VAC Power Input
- Normally Closed Safety Shutoff
- 2 1/2" - 3" Available For This Model
- Zero Differential
- 0-7PSI Maximum Working Pressure
- 1/8" Inlet & Outlet Ports
- Visual Power Indication
- Die Cast Alumium Body
- Min Temp: 5°F / Max Temp: 140°F

Product Overview:

The AGS-GSV212 & AGS-GSV3 are normally closed, electrically operated gas valves providing safety shut down over combustible gas such as natural (Methane) and LP (Liquefied petroleum). This gas solenoid valve is compatible with screwed piping.

Suitable for CSD-1 applications along with on/off control on water heaters, atmospheric boilers, roof top make up air units, power burners and commercial kitchen ranges.

Add manual re-set by incorporating an AGS controller or panic button.

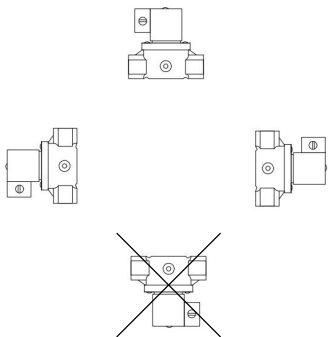
Sizes Available:

Valve Size " (inch) NPT	AGS Part Number 0-7PSI
2-1/2"	AGS-GSV212
3"	AGS-GSV3

Approvals:

- Automatic shut off valves comply with:
- UL Y10Z Automatic Shut Off Valves
 - AGA
 - CSA/ANSI Z21.21-CGA6.5 FM
 - CSD-1 Acceptable

Mounting Position:



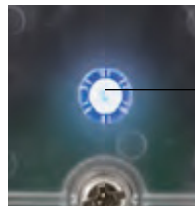
Metal shoe construction of the diaphragm allows for vertical installation, with less damage from debris and over pressure.



WARNING

If the flow is not in the same direction of arrow, valve may not shut off.

Power LED Indicator:



Blue LED indicates valve is receiving control voltage and should be in the open position.



AGSGSV212-3 Technical Information

Technical Specification:

Size	Kv Flow Factor	Flow Capacity	Btu/hr
2 1/2"	88.7	159m3/hr	5,607,800
3"	89.6	160m3/hr	5,661,700

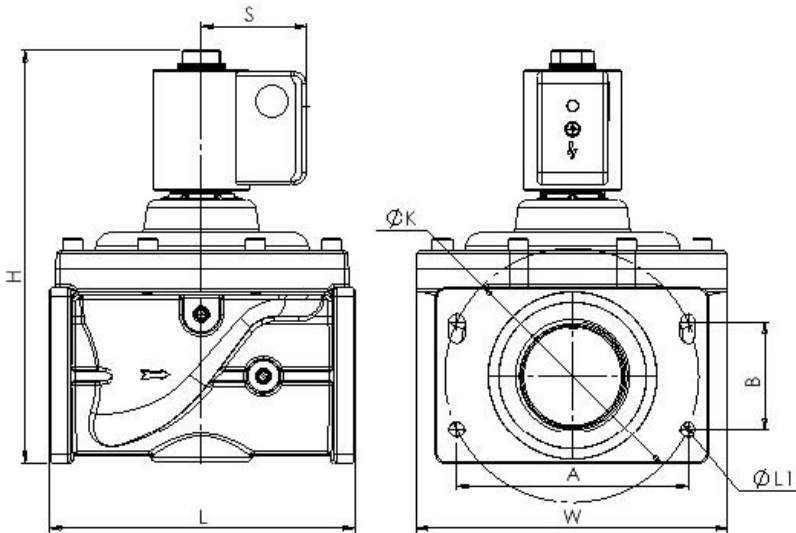
Outdoor Installation:

The GSV212 and GSV3 are weatherproof if installed with the coil in a vertical position.

Technical Information:

Opening Time:	<1 second
Closing Time:	<1 second
Maximum Working Pressure:	7PSI (195 in w.c.)
Protection Level:	IP54 (nema 3S)
Ambient/ Fluid Temperature:	5 to 140°F
Coil Temperature:	139°F
Body Connections:	NPT
Seal Material:	NBR rubber
Body Material:	Aluminum
Spring Material:	AISI 302 stainless steel
Voltage:	110/120V AC
Rating:	50/60 Hz
Coil Level F:	360° Rotation
Suitable For:	Permanent

Dimensions:



Size	T	L	H	W
1/2"	2-1/2" NPT	7.8"	10.57"	7.95"
3/4"	3" NPT	7.8"	10.57"	7.95"
S	K	LI	A	B
2.67"	6.5"	0.41"	7.95"	2.67"
2.67"	7.8"	0.41"	7.95"	2.67"

Find out more

American Gas Safety LLC

www.americangassafety.com

Head office:

6304 Benjamin Road, Suite 502, Tampa, FL 33634

Tel: (727) 608-4375

Email: info@americangassafety.com

