

AGSEPOFM- COVERDOME Datasheet

Flush Mount EPO Cover with Back Plate for Indoor / Outdoor Use



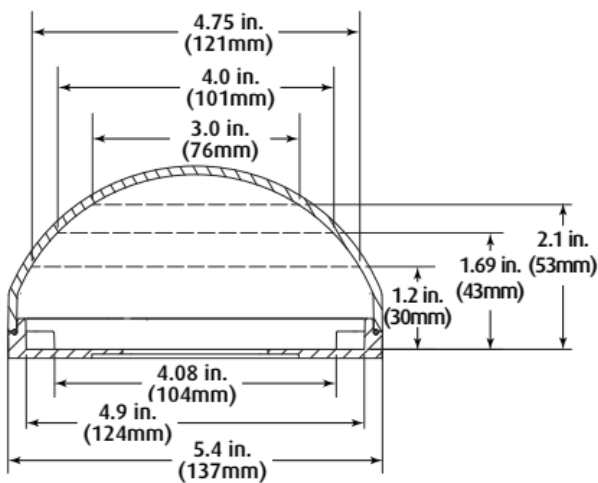
5.4 (W) x 8.15 (H) x 2.8" (D)

Product Overview

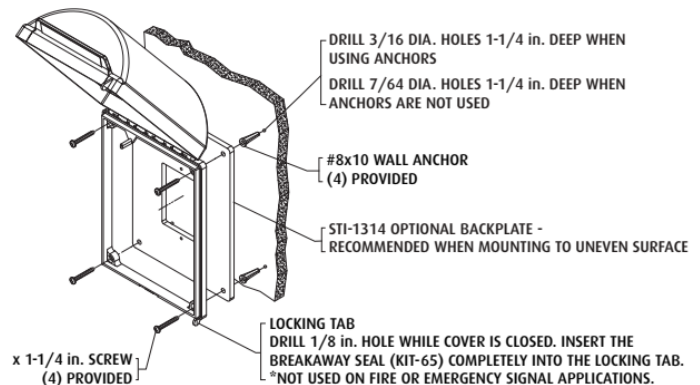
These indoor/outdoor low profile or dome polycarbonate covers protect devices such as dual action pull stations, keypads for entry systems, intercom stations, emergency buttons, electrical light switches, duplex plugs, etc., without restricting legitimate operation.

Warranty

Three year guarantee against breakage of polycarbonate in normal use (one year on electro mechanical and electrical components).



END VIEW



Find out more

American Gas Safety LLC

www.americangassafety.com

Head office:

6304 Benjamin Road, Suite 502, Tampa, FL 33634

Tel: (727) 608-4375

Email: info@americangassafety.com

