

AGS

AMERICAN GAS SAFETY



AGS1000SW+ Datasheet

Triple Output Utility Controller With Gas Pressure Proving



UL 61010 Listed
Controller



Clear LEDs Display
System Indications



Keyed ON/OFF
Authority Over
Utilities



BMS & Fire Panel
Connectivity



Gas Pressure
Proving - Low &
High Monitoring



Automatic Emergency
Utility Shutdown In
Alarm



Front Mounted
Panic Button For
Quick Shutdown



Automatic Time-Out
Feature (Disabled, 2, 4
or 8 hours)

Product Overview

The UL 61010 listed Merlin 1000SW+ Laboratory Utility Controller has been designed specifically for use in School and University Laboratories. This controller is to be used to carry out a gas proving test on the pipe work in order to highlight if there is a gas appliance open or a gas leak in the laboratory. The Merlin 1000SW+ is designed to give the teacher full control over the incoming gas supply with the lockable key-switch operation & touch buttons. Its built-in connectivity allows for connection to existing fire alarm and building management systems and with its easy-to-use system status panel and labeled PCB the Merlin 1000SW+ is easy to install and to operate.

The Merlin 1000SW+ can work in conjunction with carbon dioxide, natural gas, carbon monoxide and LPG sensors. The Merlin 1000SW+ also has a built-in "timeout" facility which will automatically shut off the gas solenoid valve at the end of a specific time period, this time period can be adjusted to 2, 4, 8 hours or can be overridden if required.

Popular Applications:

- ✓ K-12 and Higher Education Science Classrooms
- ✓ Automatic Isolation Of Utilities Supply Upon Gas Detection, Fire Alarm or Emergency Panic Button Activation
- ✓ Designed to meet NSTA guidelines & ICC Code.
- ✓ Keyed utility control with Emergency Shutdown

Gas Proving Overview:



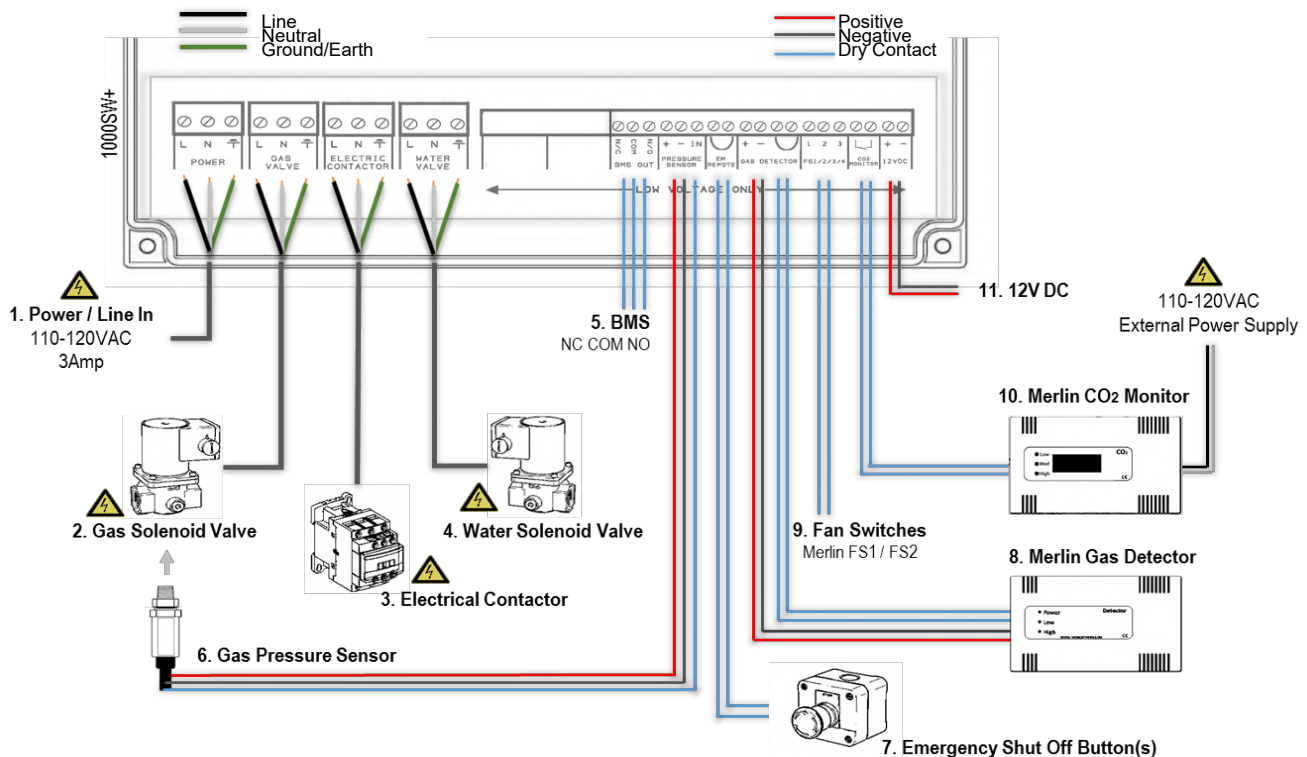
The AGS Merlin pressure transducer is used with the AGS range of gas proving systems. This pressure transducer checks the gas pipe work for leaks every time the system is turned on.

In the event of a gas leak or an open appliance during the testing sequence, the transmitter will send a signal to the Merlin unit to isolate the gas solenoid valve.

Product Specifications

Model:	Merlin 1000SW+
Visual Indication	LED
Mains Electrical Power Input	110-120VAC
Utility Output 1	110-120VAC
Utility Output 2	110-120VAC
Utility Output 3	110-120VAC
Current Consumption	12W max (50mA) @ 120VAC
Internal Fuse	3.15A
Utility Outputs 1 / 2 / 3	3.15A
Operating Temperature	32 - 104°F 0-95%RH Non-Condensing
Audible Alarm Buzzer dB	65 dB (300mm distance in quiet conditions)
Pressure Sensor Operating Pressure	0-1.45psi
Housing Material	Polylac PA-765 Flame Retardant
Flame Rating	UL 94
UL Approval Reference	UL 61010-1 E464760
O/All Dimensions (H x W x D) inch	7.08 x 10 x 3.03"
Language:	English

Merlin 1000SW+ Wiring Example



Find out more

American Gas Safety LLC

www.americangassafety.com

Head office:

6304 Benjamin Road, Suite 502, Tampa, FL 33634

Tel: (727) 608-4375

Email: info@americangassafety.com

