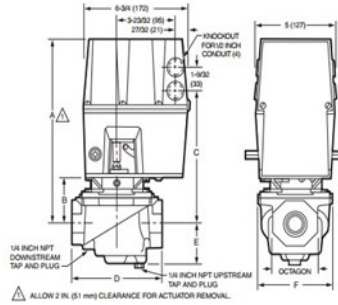


Merlin4IN Solenoid Valve



Merlin4IN

2-way, internally piloted, normally closed solenoid valve with assisted lift.

Model	Pipe Size	STANDARD PRESSURE ACTUATORS				HIGH PRESSURE ACTUATORS			
		M.O.P.D.		Max. Rated Pressure		M.O.P.D.		Max. Rated Pressure	
STANDARD PRESSURE VALVES Merlin4IN	4" NPT	3 PSI	340 mbar	15 PSI	1.0 Bar	5 PSI	340 mbar	15 PSI	1.0 Bar

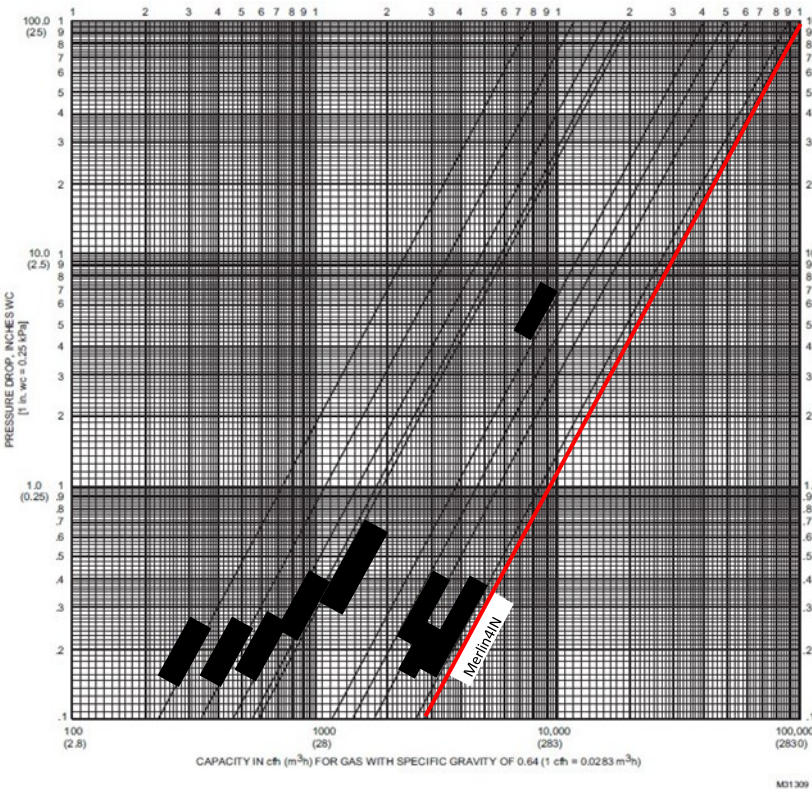


Fig. 2. Flow Curves for Merlin4IN

The Merlin4IN Gas Valve is designed for ON-OFF Service.

Nominal Opening Time:

Standard models: 26 sec at 60 Hz; 32 sec at 50 Hz.
 Fast-opening models: 13 sec at 60Hz; 16 sec at 50Hz.

Closing Time:

One second maximum
 Low-fire Adjustment

