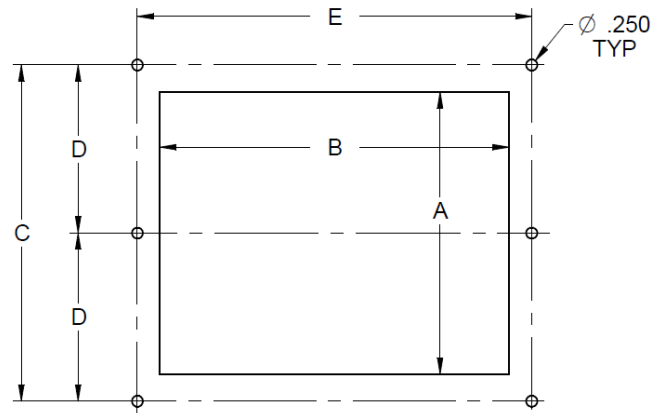
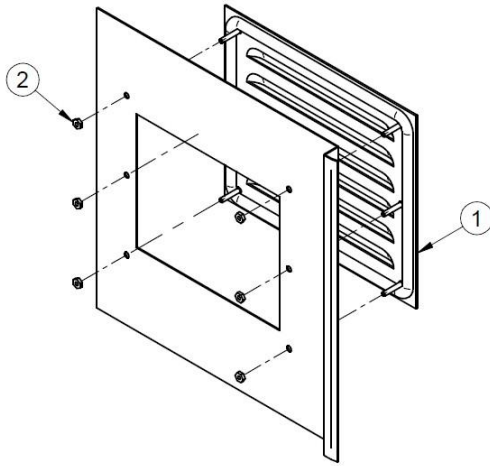


**ASSEMBLY INSTRUCTIONS:**

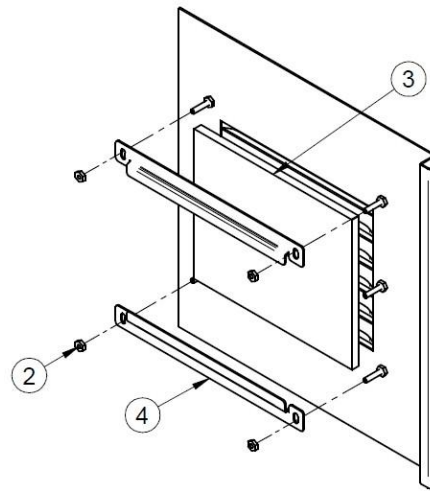
- A) Create cutout pattern as per STEP # 1.
- B) Assemble the louver plate using the supplied hardware as shown in STEP # 2.
- C) Install the filter and brackets using the supplied hardware as shown in STEP # 3.
- D) Place UL/CSA label next to louver kit.



STEP # 1  
(CUTOUT DETAIL)



STEP # 2  
(LOUVER PLATE INSTALLATION)



STEP # 3  
(FILTER/BRACKET INSTALLATION)

| Part        | A    | B    | C    | D   | E    |
|-------------|------|------|------|-----|------|
| 1481L3R56GY | 2.88 | 3.75 | 3.75 | N/A | 4.75 |

| ITEM | QTY     | Description     |
|------|---------|-----------------|
| 1    | 1       | Louver Plate    |
| 2    | 8 or 10 | 10-32 Kep Nuts  |
| 3    | 1       | Filter          |
| 4    | 2       | Filter Brackets |
| 5    | 1       | UL/CSA Label    |

**Tools**

- Cutting tool
- Drill, use 0.25" (6.4mm)
- Socket set



AGS Head Office

Tel: (727) 608-4375

Fax: (727) 538-4237

info@americangassafety.com