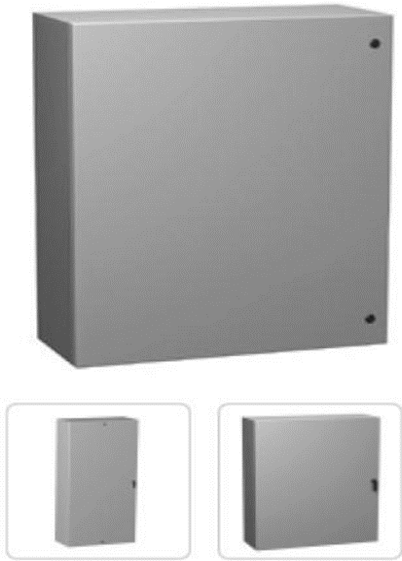


Wall-Mounted / Semi-Recessed Powder Coated Enclosure



Description

- > Impressive styling features like hidden hinges, attractive latching systems make the Eclipse a suitable addition to any high-tech equipment installation.
- > A wide range of sizes and practical accessories make this product line a complete package.

Design Features

- > Continuous seam welded 16 gauge steel or stainless steel construction
- > Hinged cover clamps to the base with keyed quarter turn latch for a watertight seal
- > External mounting brackets allow box to be mounted on a wall or panel without having to remove the cover and exposing internal components to the environment
- > Bonding studs for grounding are provided on base and door
- > Internal panel and hardware included
- > Easily machined and modified to your particular requirements
- > Rigid door design
- > Continuous gasket
- > Bar folded flange to enhance seal performance
- > Additional rubber washer inside mounting brackets to enhance water resistant seal
- > Added locks in larger size enclosures

Standards

- > UL Listed Type 1, 2, 4, 4X and 12.
- > IP65 and IP66 ratings
- > Meets UL50E requirements

Finish

- > Smooth gray powder coat, Internal Panel - Clear Zinc plate

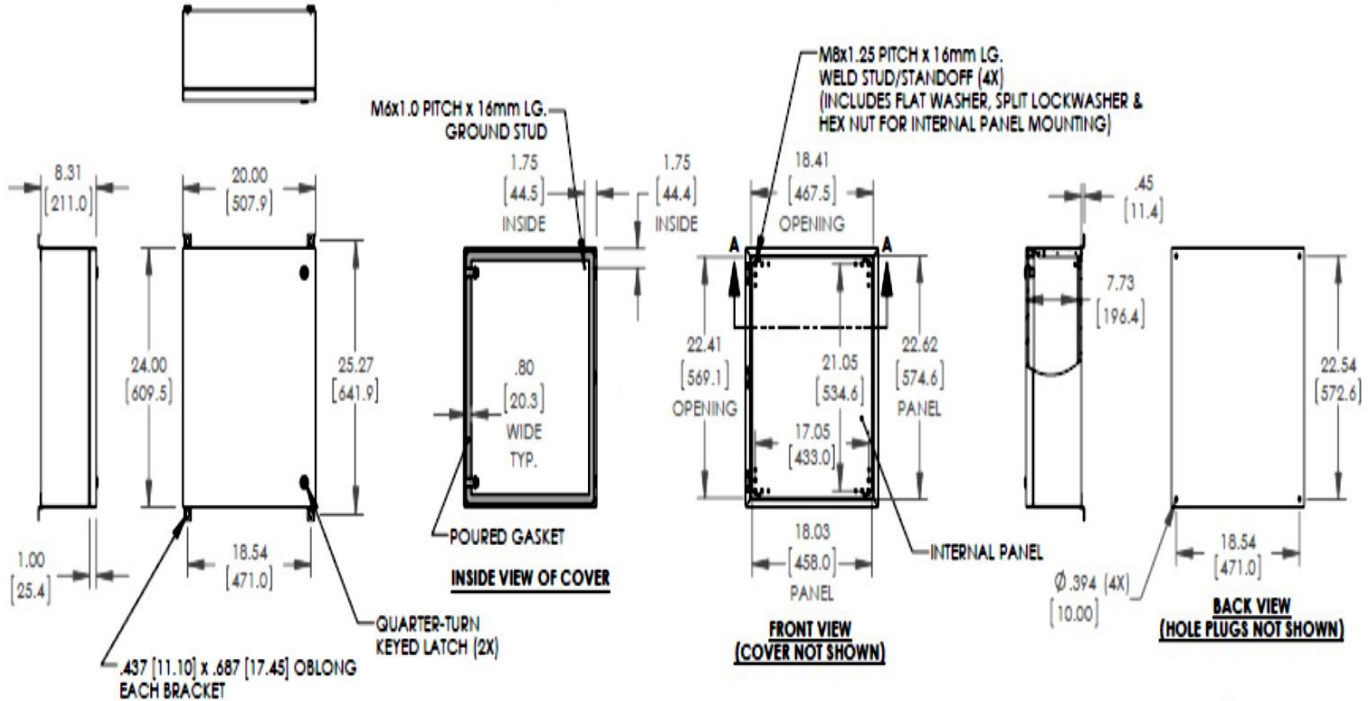
Gas Safety Systems

American Gas Safety, LLC. 4500 140th Ave N. Suite 101. Clearwater, FL 33672 T.(727) 608-4375 F.(727) 538-4237 www.americangassafety.com

Utility Control

Wall-Mounted / Semi-Recessed Powder Coated Enclosure

DESIGNED TO MEET NEMA 1, 2, 4, 4X, 12, 13 AND IP-66
 UL LISTED AND TESTED TO UL508A. UL FILE #E194432

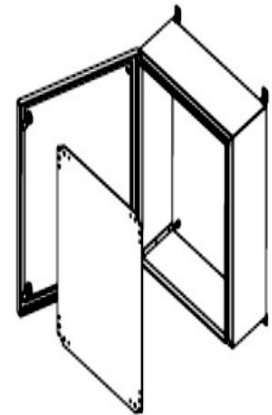
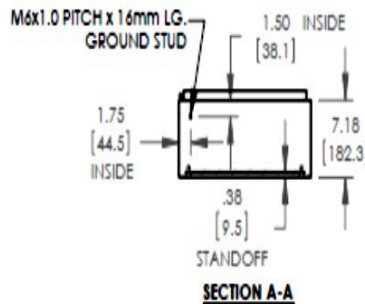


MATERIAL:

- BODY & COVER - 16 GA. [1.5mm] TYPE 304 STAINLESS STEEL
- INTERNAL PANEL - 14 GA. [2.0mm] C.R.S.
- WALL MOUNTING BRACKETS - 14 GA. [2.0mm] TYPE 430 STAINLESS STEEL
- STRIKERS - 11 GA. STAINLESS STEEL 304
- HINGE PINS & WALL MOUNTING HARDWARE - TYPE 201 STAINLESS STEEL
- INTERNAL PANEL MOUNTING HARDWARE & GROUND STUD HARDWARE - PLAIN STEEL
- LATCHES - STAINLESS STEEL
- LATCH GASKET WASHER - BLACK ACRYLONITRILE-BUTADIENE RUBBER
- POURED GASKET - BLACK POLYURETHANE FOAM
- SEALING WASHERS - BLACK NEOPRENE
- HOLE PLUGS - LIGHT GRAY NEOPRENE

FINISH:

- BODY & COVER - NATURAL, OUTSIDE SURFACES POLISHED
- INTERNAL PANEL, INTERNAL PANEL MOUNTING HARDWARE & GROUND STUD HARDWARE - CLEAR ZINC PLATED
- WALL MOUNTING BRACKETS, STRIKERS & HINGE PINS - NATURAL



SUPPLIED WALL MOUNTING BRACKET KIT CONTAINS:

- QTY. (4) WALL MOUNTING BRACKETS
- QTY. (4) HEX HEAD BOLT M10x1.5 PITCH x 19.5mm LG.
- QTY. (8) SEALING WASHERS
- QTY. (4) FLAT WASHERS M10
- QTY. (4) SPLIT LOCKWASHERS M10
- QTY. (4) HEX NUTS M10x1.5

SUPPLIED GROUNDING KIT CONTAINS:

- QTY. (1) GROUND WIRE 14-16 GA. YELLOW/GREEN WITH RING TERMINAL (M6) AT EACH END
- QTY. (4) FLAT WASHER M6
- QTY. (2) SPLIT LOCKWASHER M6
- QTY. (2) HEX NUT M6x1.0