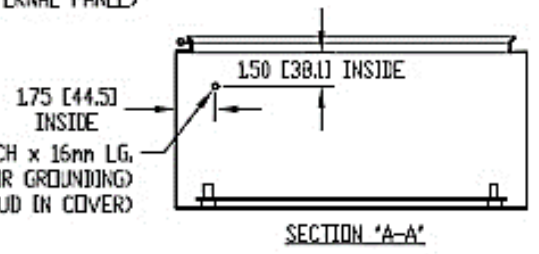
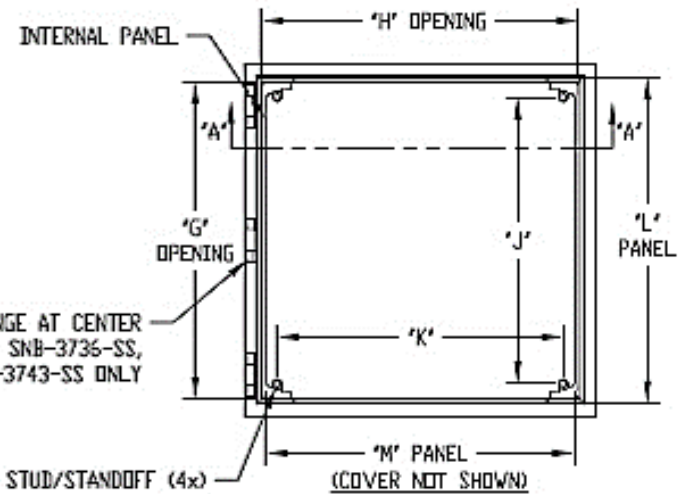


HINGE AT CENTER  
 SNB-3735-SS, SNB-3736-SS,  
 SNB-3737-SS AND SNB-3743-SS ONLY

M8x1.25 PITCH x 16mm LG. WELD STUD/STANDOFF (4x)  
 (WITH FLAT WASHER, SPLIT LOCKWASHER & HEX NUT FOR MOUNTING INTERNAL PANEL)



**MATERIAL:**  
 BODY & COVER - 16 GA. [1.5mm] TYPE 304 STAINLESS STEEL  
 INTERNAL PANEL - 14 GA. [2.0mm] C.R.S.  
 WALL MOUNTING BRACKETS - 14 GA. [2.0mm] TYPE 430 STAINLESS STEEL  
 STRIKERS - C.R.S.  
 HINGE PINS & WALL MTG. HARDWARE - TYPE 201 STAINLESS STEEL  
 LATCHES - ZINC DIE CAST  
 GASKET - 0.38 [9.5] THK. ROGERS CORP. PORDON #4701-30-15375-04 (BLACK)  
 SEALING WASHERS - BLACK NEOPRENE OR EQUIVALENT  
 HOLE PLUGS - LIGHT GRAY NEOPRENE

**FINISH:**  
 BODY & COVER - NATURAL, OUTSIDE SURFACES POLISHED  
 INTERNAL PANEL - ZINC PLATED  
 WALL MOUNTING BRACKETS & HINGE PINS - NATURAL  
 STRIKERS - ZINC PLATED  
 LATCHES - CHROME PLATED

BOXES SUPPLIED WITH GROUNDING KIT THAT CONTAINS THE FOLLOWING: (1) GROUND WIRE, (4) FLAT WASHERS, (2) SPLIT LOCKWASHERS AND (2) HEX NUTS

'A'	'B'	'C'	'D'	'E'	'F'	'G'	'H'	'J'	'K'	'L'	'M'	'N'
15.75 [400]	11.81 [300]	5.91 [150]	5.33 [135.4]	17.02 [432.3]	10.35 [263]	14.16 [359.6]	10.22 [259.6]	12.80 [325]	8.86 [225]	14.37 [365]	9.84 [250]	11.62 [295]

**AGSENC16126SS 16x12x6in**  
  
**NEMA 4 Stainless Steel Finish**  
**Wall Mounted or Semi - Recessed**



Tel: (727) 608-4375  
 Fax: (727) 538-4237  
 info@americangassafety.com