

INPUT FROM GDP2 / MERLIN PANEL

12 VDC, 0.42 A
24 VDC, 0.22 A

LENS TAMPER

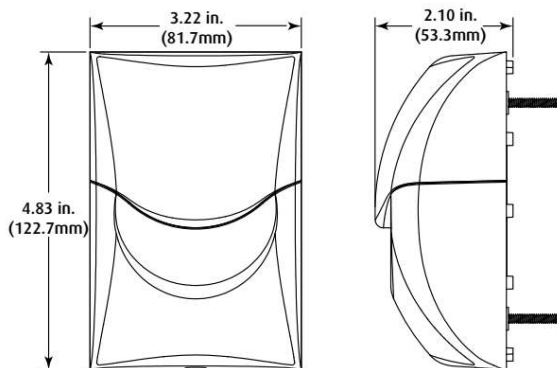
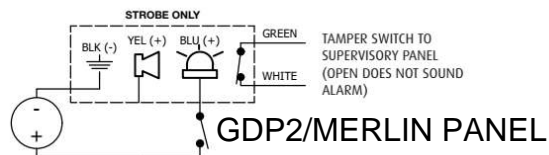
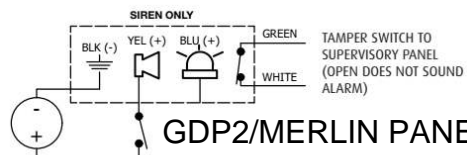
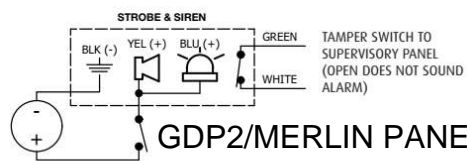
N.C. DRY CONTACT
0.05 A @ 12 VDC

OPERATING TEMPERATURE

-4°F TO 140°F (-20°C TO 60°C)

CONTROL W/POWER SUPPLY

- ALARM ON TRIGGER CLOSE



Housing Installation

1. Loosen screw with 3/32 HEX KEY.
2. Pull bottom of housing out and lift up until tabs are released from slots in top of siren/strobe assembly.

Wire Connections

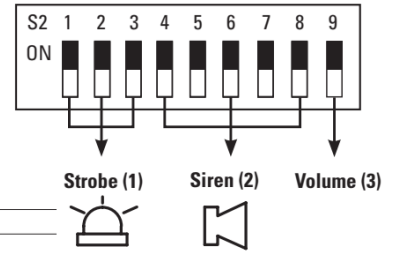
WHITE - TAMPER
GREEN - TAMPER
BLUE - STROBE
YELLOW - SIREN
BLACK - GROUND

⚠ WARNING: This product can expose you to chemicals including Dichloromethane, which is known to the State of California to cause cancer, and Bisphenol A (BPA), which is known to the State of California to cause birth defects or other reproductive harm. For more information go to www.P65Warnings.ca.gov.

Three year warranty or a one year limited warranty (from date of purchase) on most products. See website for details.

S2 - STROBE CONTROL (1)

1	2	3	4	5	6	7	8	9	FUNCTION
* 1	1	1							CONTINUOUS (SOLID LIGHT)
0	1	1							INDIRECT FLASHING (30 cyc/1 min)
1	0	1							INDIRECT FLASHING (50 cyc/1 min)
0	0	1							FLASHING (60 cyc/1 min)
1	1	0							FLASHING (90 cyc/1 min)
0	1	0							FLASHING (120 cyc/1 min)
1	0	0							BREATHING (12cyc/1 min)
0	0	0							LEFT TO RIGHT FLASHING (30cyc/ 1 min)



S2 - ALARM TONES (2)

1	2	3	4	5	6	7	8	9	FUNCTION
*	1	1	1	1	1				2400Hz - 2900Hz @ 3 Hz
0	1	1	1	1					970Hz, 0.5s ON/0.5s OFF x 3/1.5s OFF (ISO 8201)
1	0	1	1	1					554Hz, 0.1s/440Hz, 0.4s (AFNOR NF S 32 001)
0	0	1	1	1					420Hz 0.625s ON/0.625s OFF (AUSTRALIA AS1670 ALERT TONE)
1	1	0	1	1					800Hz - 970Hz @ 3Hz
0	1	0	1	1					660Hz 0.15s ON/0.15s OFF
1	0	0	1	1					550Hz, 0.7s/1000Hz, 0.33s
0	0	0	1	1					510Hz, 0.25s/ 610Hz, 0.25s
1	1	1	0	1					800Hz - 970Hz @ 9Hz
0	1	1	0	1					2400Hz
1	0	1	0	1					250Hz - 1200Hz @ 12Hz
0	0	1	0	1					500Hz - 1200Hz @ 0.33Hz
1	1	0	0	1					660Hz 1.8s ON/1.8s OFF
0	1	0	0	1					2850Hz, 0.5s ON/0.5s OFF x 3/1.5s OFF (ISO 8201)
1	0	0	0	1					1000-2500Hz, 0.5s/ 0.5s OFF x 3/1.5s OFF (AS1670 EVACUATION)
0	0	0	0	1					800Hz - 970Hz @1Hz
1	1	1	1	0					500Hz - 1200Hz, 3.5s ON/ 0.5s OFF (NEN 2575:2000 DUTCH SLOW WHOOP)
0	1	1	1	0					970Hz, 1s OFF/1s ON
1	0	1	1	0					970Hz
0	0	1	1	0					750Hz
1	1	0	1	0					2400Hz - 2900Hz @ 9 Hz
0	1	0	1	0					800Hz, 0.25s ON/ 1s OFF
1	0	0	1	0					800Hz / 970Hz @2Hz
0	0	0	1	0					1500Hz - 2700Hz @ 3Hz
1	1	1	0	0					800Hz / 1000Hz 0.5s each (1Hz)
0	1	1	0	0					970Hz, 0.5s/ 630Hz, 0.5s
1	0	1	0	0					550Hz/440Hz @ 0.5 Hz
0	0	1	0	0					500Hz - 1200Hz, 3.75s ON / 0.25s OFF (AS2220)
1	1	0	0	0					1200Hz - 500Hz @ 1Hz (DIN 33 404)
0	1	0	0	0					520Hz, 0.5s / 0.5s OFF x 3/1.5s OFF (FIRE)
1	0	0	0	0					500Hz - 1200Hz, 0.5s/ 0.5s OFF x 3/1.5s OFF (AS1670 EVACUATION)
0	0	0	0	0					1800Hz - 3300Hz @ 150ms

S2 - VOLUME (3)

1	2	3	4	5	6	7	8	9	FUNCTION
*								1	VOLUME - HI
								0	VOLUME - LOW

*Default

