

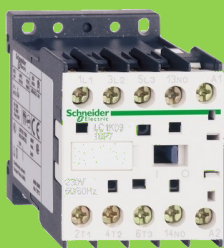
Utility Control Solution Series Electrical Outlet Control.

Each Merlin panel provides a 120v ac output signal which can be used to control anything from solenoid valves to electrical outlets. This enables the panels to be very adaptable and provides many solutions for management or authority control over a particular service in an environment.

AGS can provide electrical contactors to work as enabling switches providing the supply of power from an electrical panel to the outlets in a classroom or commercial space. The output signal from the Merlin panel to the contactor is provided (energized) once the user selects the service using the authority key and selector buttons. The output signal from the Merlin panel to the contactor is a constant 120v signal which is removed (de-energized) after the service is turned off, or when the panel is in panic / alarm mode.

As the signal is constant we only provide electrically held normally open contactors, both regular and lighting latch relay types. The contactors are offered in 20amp and 50amp ratings and in 4 and 8 pole versions. If more poles are required increase the number of contactors.

The contactors mount onto DIN rail (purchased separately) and can be mounted into junction boxes. For convenience AGS offers three sizes of junction boxes for contactors and relays. The contactor assemblies should be mounted in the electrical room or close to the main panel for the corresponding room or space.



*



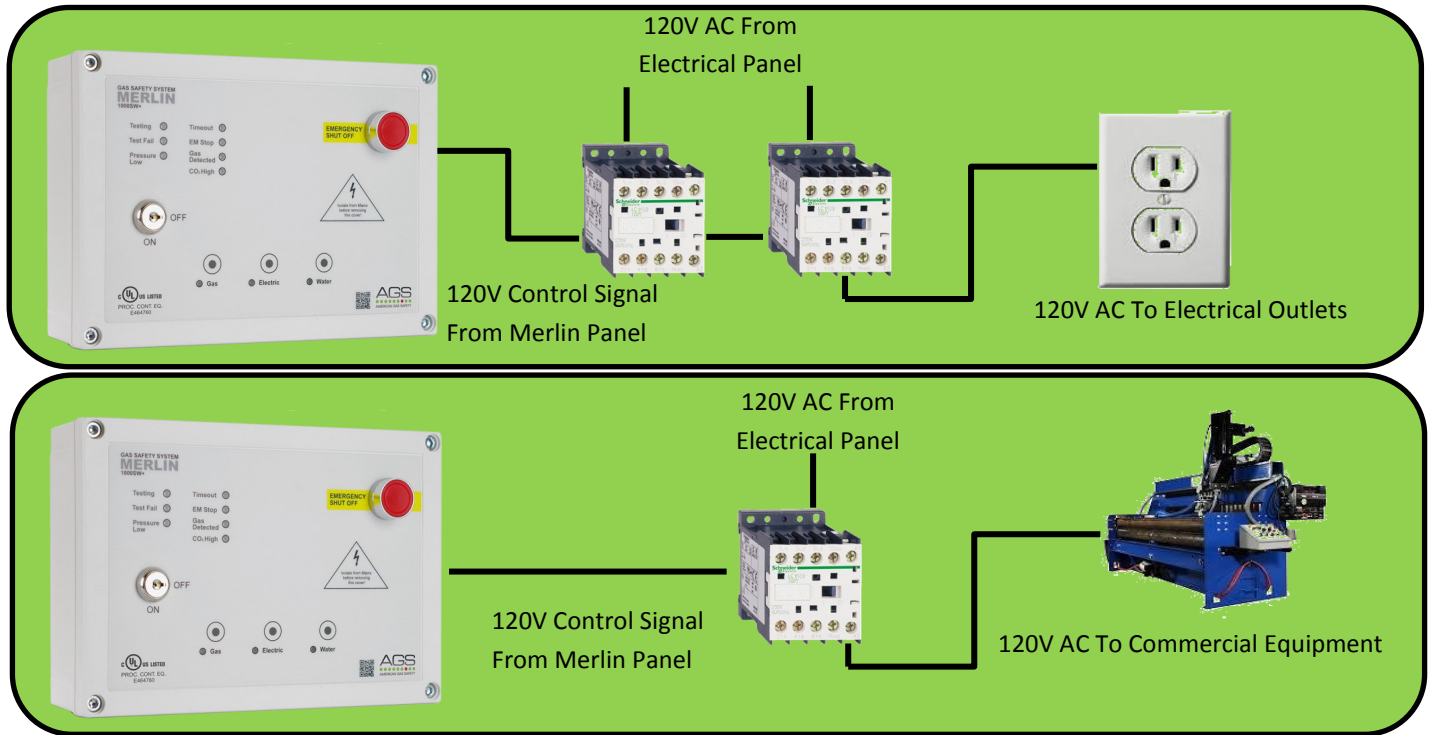
Electrical Contactors

***The regular contactor is the preferred option, cost effective and readily available.**

Utility Control Solution Series

Electrical Outlet Control.

Installation Examples:



The Merlin panels also provide a 12vdc output in panic / alarm mode which can be utilized to engage a 12vdc shunt trip if required. Please note; a shunt trip will need to be manually re-set after a panic / alarm condition. AGS do not supply these shunt trip as they are panel specific.

Material List:

- AGSCON4P20NO – Normally Open, 120v 20amp Contactor
 - AGSCON4P50NO – Normally Open, 120v 50amp Contactor
 - AGSDCON4P20NO – Normally Open, Electrically Held 120v 20amp Lighting Latch Relay
 - AGSDCON8P20NO – Normally Open, Electrically Held 120v 20amp Lighting Latch Relay
- Other contactors available upon request.**

Call your local representative today to find out about all the time saving, cost effective life safety solutions from American Gas Safety. Visit www.americangassafety.com call (727)608-4375 or email info@americangassafety.com for more information.

Gas Safety Systems

Utility Control

American Gas Safety, LLC. 4500 140th Ave N. Suite 101. Clearwater, FL 33672 T.(727) 608-4375 F.(727) 538-4237 www.americangassafety.com