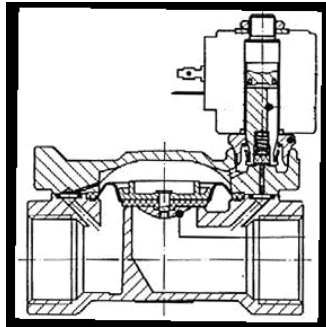


### Model #W4B19-00E-09

2-way, internally piloted, normally closed solenoid valve



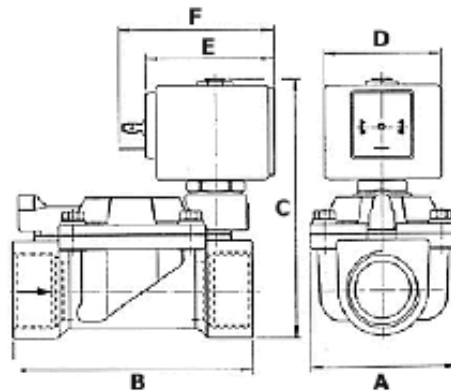
1/2"	1/2"	4.80	120 VAC	8 watts	2-230 psi
Pipe Size (Inch)	Orifice Size (Inch)	Flow Factor (CV)	Voltage (AC)	Wattage (W)	Pressure
EPDM/NSF	14°-280° F	Cable grip DIN	Potable water		
Sealing Material	Temperature Range	Connector Supplied	Medium Examples		

#### Materials of Construction

<b>Body</b>	Lead free brass
<b>Armature Tube</b>	Stainless Steel 300
<b>Fixed Core</b>	Stainless Steel 400
<b>Plunger</b>	Stainless Steel 400
<b>Spring</b>	Stainless Steel 300
<b>Shading Ring</b>	Copper
<b>Orifice</b>	Lead free brass

#### Valve Dimensions

<b>Valve Width (A):</b>	1 9/16"
<b>Valve Length (B):</b>	2 19/32"
<b>Valve Height (C):</b>	3 3/16"
<b>Coil Width (D):</b>	1 3/16"
<b>Coil Length (E):</b>	1 21/32"
<b>Coil Length (F):</b>	2 1/8"



**Note:** Valve is pictured above with a sample coil, which may or may not reflect the exact specifications of this particular build.

#### Electrical Specifications

<b>Rating</b>	NEMA 4
<b>Holding VA</b>	25
<b>Inrush VA</b>	14.0



AGS Head Office  
 Tel: (727) 608-4375  
 Fax: (727) 538-4237  
 info@americangassafety.com