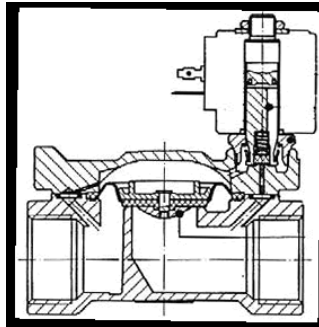


Model #W7B19-00V-04

2-way, internally piloted, normally closed solenoid valve



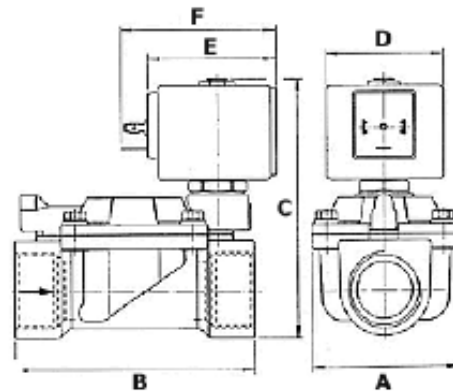
1 1/4"	1 3/8"	28.00	120 VAC	8 watts	2–150 psi
Pipe Size (Inch)	Orifice Size (Inch)	Flow Factor (CV)	Voltage (AC)	Wattage (W)	Pressure
FKM	14°–280° F	Cable grip DIN	Air, Inert Gas, Water, Synthetic oils		
Sealing Material	Temperature Range	Connector Supplied	Medium Examples		

Materials of Construction

Body	Lead free brass
Armature Tube	Stainless Steel 300
Fixed Core	Stainless Steel 400
Plunger	Stainless Steel 400
Spring	Stainless Steel 300
Shading Ring	Copper
Orifice	Lead free brass

Valve Dimensions

Valve Width (A):	3 7/8"
Valve Length (B):	5 21/32"
Valve Height (C):	4 15/16"
Coil Width (D):	1 3/16"
Coil Length (E):	1 21/32"
Coil Length (F):	2 1/8"



Note: Valve is pictured above with a sample coil, which may or may not reflect the exact specifications of this particular build.

Electrical Specifications

Rating	NEMA 4
Holding VA	25
Inrush VA	14.0

