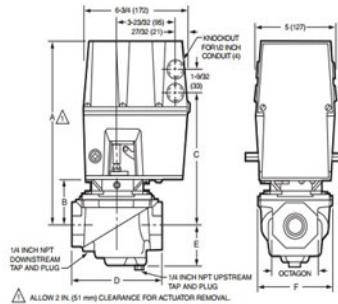


Merlin4INF Solenoid Valve



Merlin4INF

2-way, internally piloted,
 normally closed solenoid
 valve with assisted lift.

Model	Pipe Size	STANDARD PRESSURE ACTUATORS V4055A, D, F, G, V4062A, D, V9055A, D9055A, D				HIGH PRESSURE ACTUATORS V4055B, E, V4062B			
		M.O.P.D.		Max. Rated Pressure		M.O.P.D.		Max. Rated Pressure	
STANDARD PRESSURE VALVES V5055A, B, C, F, V5097A, B, C	3/4" to 1-1/2"	5 PSI	340 mbar	15 PSI	1.0 Bar	15 PSI	1030 mbar	15 PSI	1.0 Bar
	2" to 3"	5 PSI	340 mbar	15 PSI	1.0 Bar	15 PSI	1030 mbar	15 PSI	1.0 Bar
	4" flanged	3 PSI	340 mbar	15 PSI	1.0 Bar	5 PSI	340 mbar	15 PSI	1.0 Bar
HIGH PRESSURE VALVES V5055D, E, V5097D, E	3/4" to 1-1/2"	5 PSI	340 mbar	75 PSI	5.0 Bar	25 PSI	1720 mbar	75 PSI	5.0 Bar
	2" to 3"	5 PSI	340 mbar	45 PSI	3.0 Bar	15 PSI	1030 mbar	45 PSI	3.0 Bar

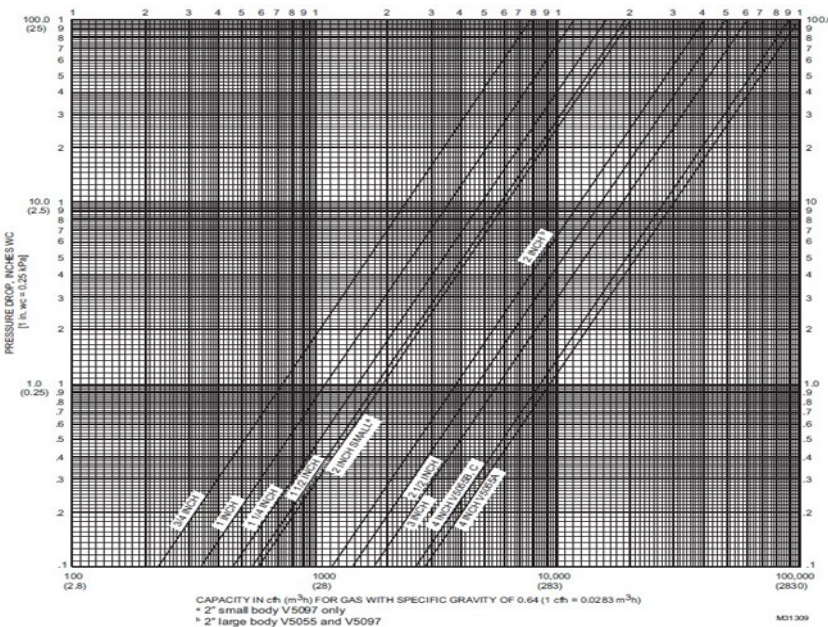


Fig. 2. Flow Curves for V5055 and V5097 Valves

The V5055A Gas Valve is designed for ON-OFF Service.

Nominal Opening Time:

Standard models: 26 sec at 60 Hz; 32 sec at 50 Hz.
 Fast-opening models: 13 sec at 60Hz; 16 sec at 50Hz.

Closing Time:

One second maximum

Low-fire Adjustment (with respect to V5055/V5097B Valve):
 V4062: 0.17 to 0.64 in. valve stem travel (approximately 20 to 60 percent maximum gas flow).
 V9055: 0.14 to 0.65 in. valve stem travel (approximately 5 to 60 percent depending upon valve size).

