

## Emergency Shut-Off Button



### Description

The AGS-EPOTWA, multipurpose push button to be used for a wide range of applications commonly used with the AGS Merlin range of gas safety systems.

The AGS-EPOTWA is twist re-set, flush mounted and comes with a clear protective cover to prevent accidental activations. It also has an Audible alarm if the protective shield is opened.

### Key Features

- > Protects against vandalism, accidental damage, dust and grime
- > Audible Alarm
- > Indoor use only
- > Twist Release Reset
- > ADA Compliant

### General Information

- > Three year guarantee against breakage of polycarbonate in normal use (one year on electromechanical and electronic components).

### Design

- > Unique, curved design helps protect against accidental activation.

### Construction

- > Station housing moulded of tough polycarbonate.
- > UL Listed to U.S. and Canadian safety standards.

### Installation

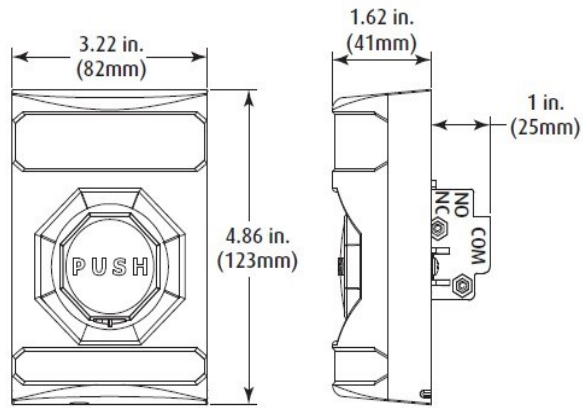
- > 5VA flammability rating on back plate and spacer.
- > Typical working properties of polycarbonate are -40° to 250°F (-40° to 121°C).
- > Polycarbonate complies with FDA regulations for food contact applications.

### Gas Safety Systems

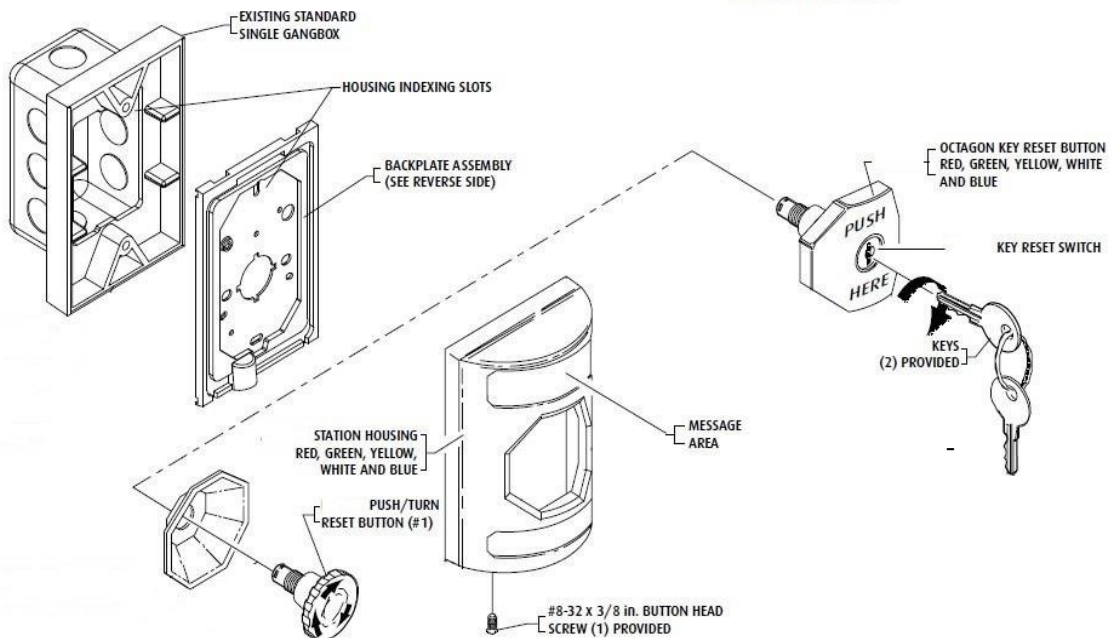
American Gas Safety, LLC. 4500 140<sup>th</sup> Ave N. Suite 101. Clearwater, FL 33672 T.(727) 608-4375 F.(727) 538-4237 [www.americangassafety.com](http://www.americangassafety.com)

### Utility Control

# Emergency Shut-Off Button



MODELS  
 WITHOUT BACK BOX



## Important Notice

The AGS-EPOTWA is intended to be used in areas where the incidence of false alarms from manual pull stations is high or has proven to be a serious problem. Any disadvantage of this device is more than balanced when one considers the consequences of false alarms, especially if fire service personnel and equipment are responding to a false fire alarm when they are needed for a real fire somewhere else. Addition to this, the disruption to the facility when false alarms occur. If you have, or may have, a problem with false fire alarms or physical/weather damage to your fire alarm activation devices, the AGS-EPOTWA could prove invaluable.

## Gas Safety Systems

American Gas Safety, LLC. 4500 140<sup>th</sup> Ave N. Suite 101. Clearwater, FL 33672 T.(727) 608-4375 F.(727) 538-4237 [www.americangassafety.com](http://www.americangassafety.com)

## Utility Control