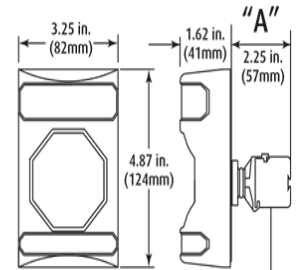
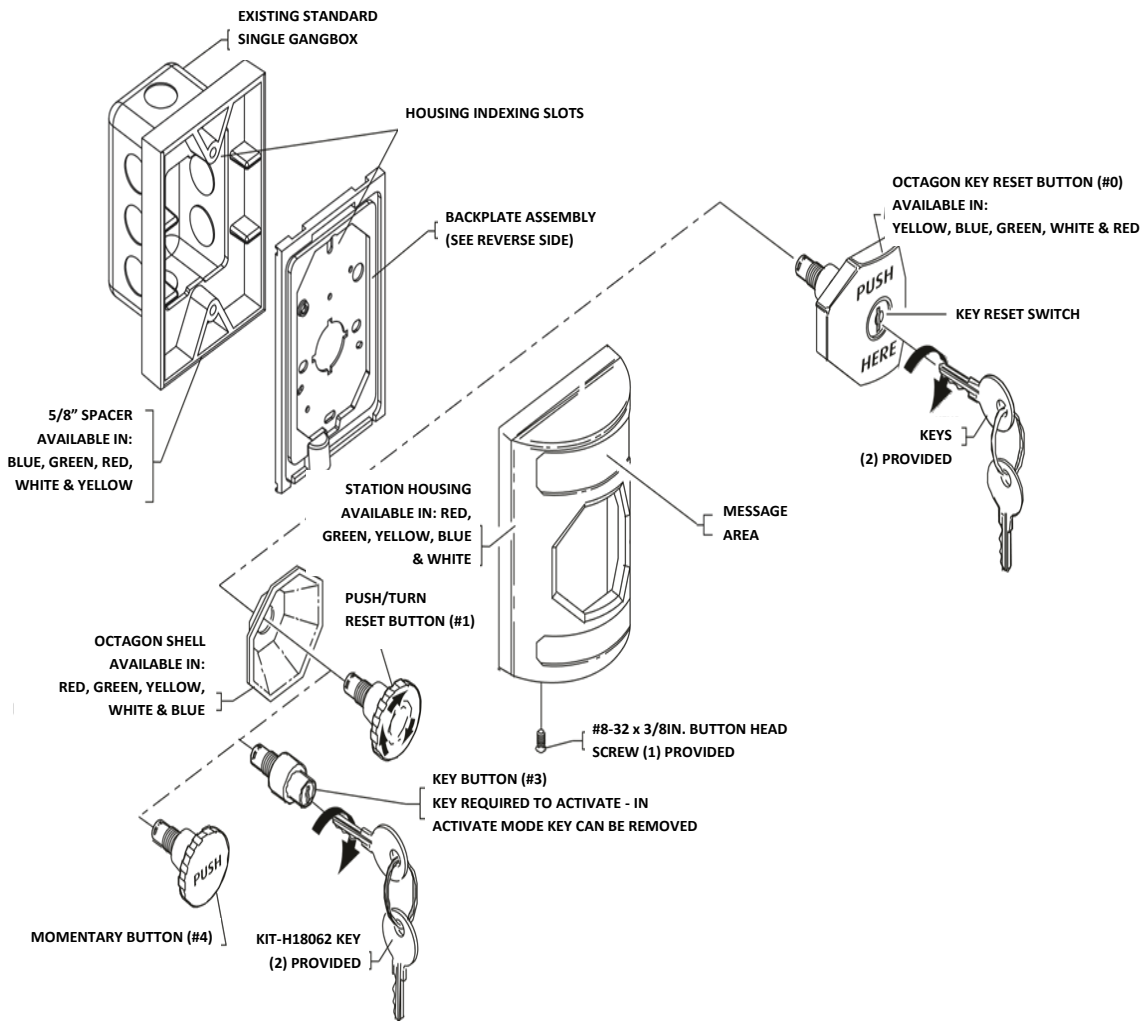


Emergency Shut-Off Button



NOTE: TO PROVIDE ADEQUATE CLEARANCE FOR INSTALLATION MAY REQUIRE - 5/8" SPACER

PRODUCT DIMENSIONS

UL294 Performance levels:

Line Security: I Endurance: IV
 Attack: I Standby Power: I

Warranty:

Three year warranty as standard. For more information contact American Gas Safety - www.americangassafety.com / (727)-608-4375

WARNING:

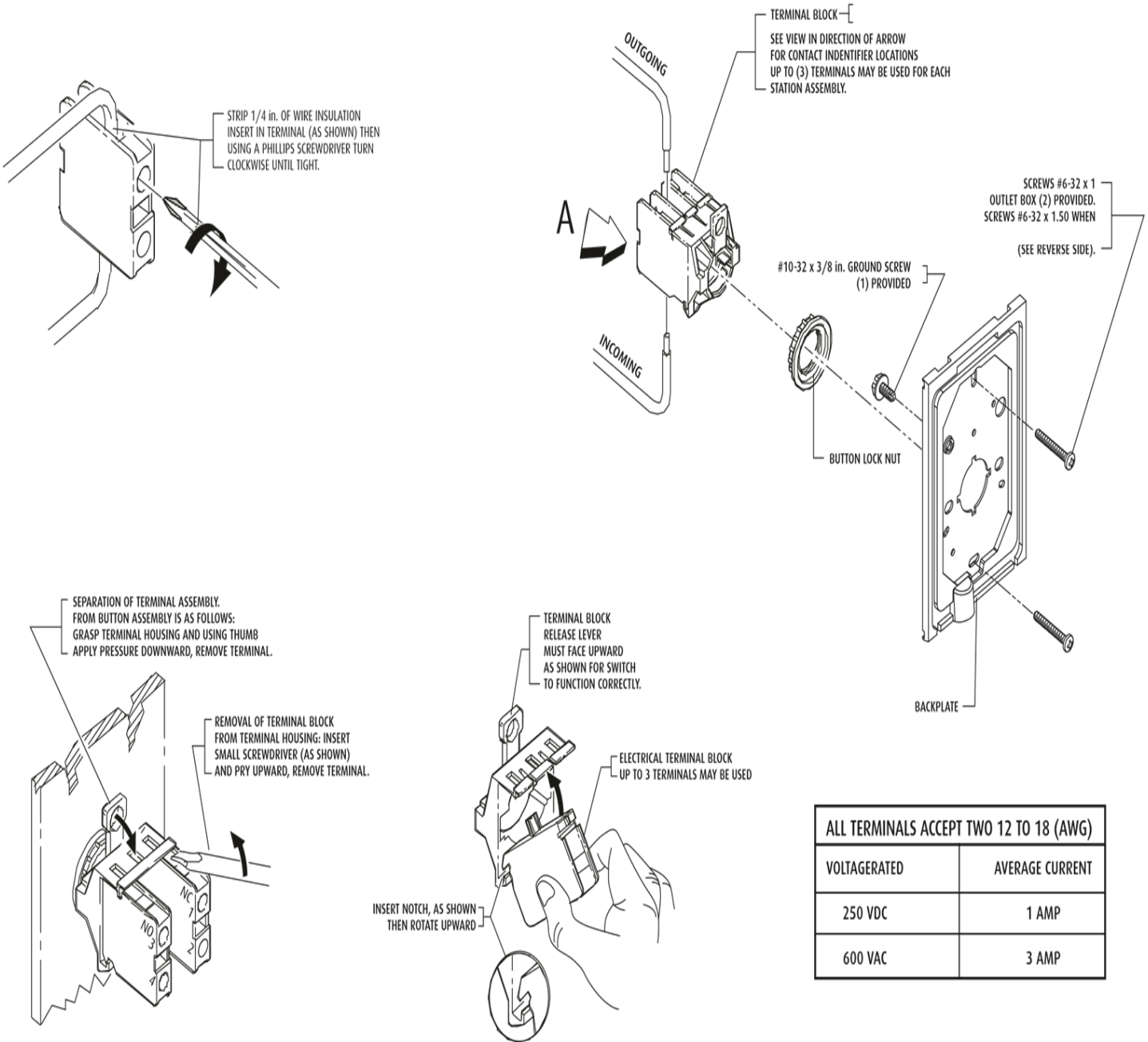
This product can expose you to chemicals including Bisphenol A, which is known to the state of California to cause reproductive harm and Dichloromethane, which is known to the state of California to cause cancer. For more information go to www.P65warnings.ca.gov.

Gas Safety Systems

American Gas Safety, LLC. 4500 140th Ave N. Suite 101. Clearwater, FL 33672 T.(727) 608-4375 F.(727) 538-4237 www.americangassafety.com

Utility Control

Emergency Shut-Off Button



ALL TERMINALS ACCEPT TWO 12 TO 18 (AWG)	
VOLTAGERATED	AVERAGE CURRENT
250 VDC	1 AMP
600 VAC	3 AMP