

# Flush Mounting Enclosure



## Specifications

- > 16 gauge steel
- > Seams continuously welded and ground smooth
- > Corner-formed doors
- > Simple easy-to-remove and install hinge pins with built-in captivation clip
- > High-torque threadless studs and fasteners on door
- > Minimum-width body flange provides maximum door opening (210 degrees)
- > Door opens 210 degrees
- > External formed body flange
- > Panel mounting studs fit optional panels and other accessories
- > Mounting holes in back of body for optional external wall-mount brackets
- > Removable door with hidden hinges for clean, aesthetic appearance
- > Seamless foam-in-place gasket
- > Quarter-turn slotted latch(es)
- > Grounding stud on body; bonding provision on door Hardware kit with panel mounting nuts, panel grounding hardware and sealing washers - Installation instructions provided
- > Flush-Mount models have a mounting frame that extends completely around the enclosure

## Finish

- > RAL 7035 textured light gray polyester powder paint inside and out

## Dimensions

- > Height – 20 inches
- > Width – 20 inches
- > Depth – 6 inches

## Standards

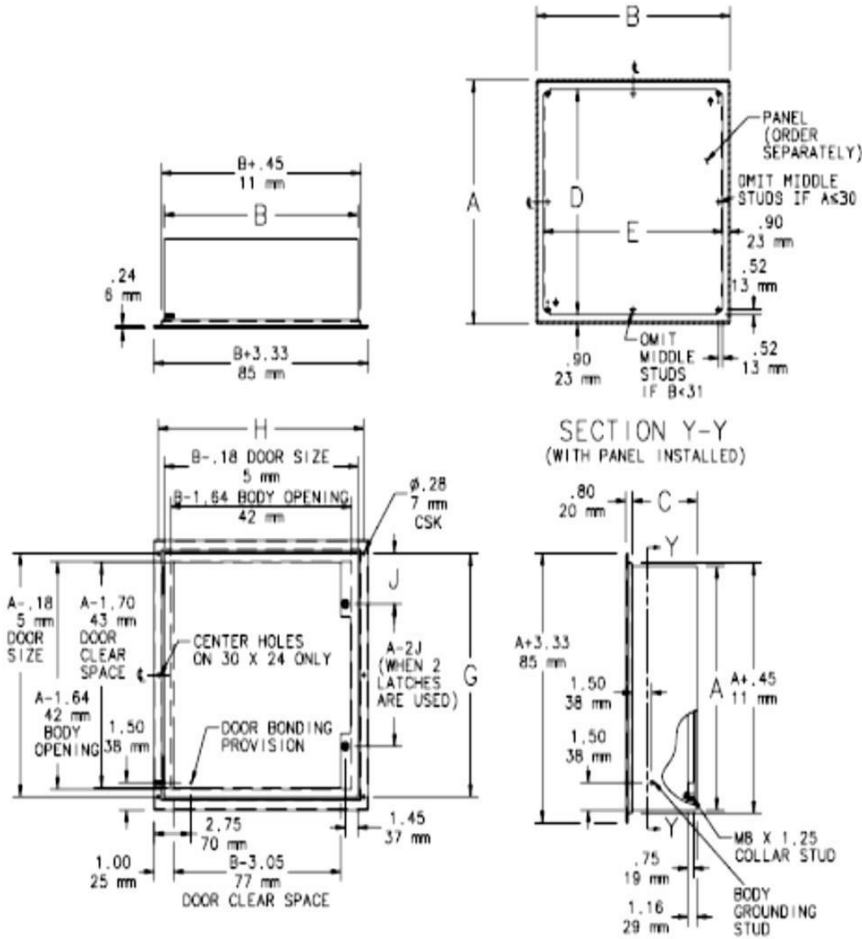
- > UL 508 Type 3R, 4, and 12
- > CSA Type 3R, 4, and 12
- > Complies with NEMA Type 3R, 4, and 12

## Gas Safety Systems

American Gas Safety, LLC. 4500 140<sup>th</sup> Ave N. Suite 101. Clearwater, FL 33672 T.(727) 608-4375 F.(727) 538-4237 [www.americangassafety.com](http://www.americangassafety.com)

## Utility Control

# Flush Mounting Enclosure



AxBxC in./mm	Finish	Door Ga.	Body Ga.	CONCEPT Panel	CONCEPT Panel	D x E in./mm	G x H in./mm	Latches qty.	Latches style	J in./mm
20.00 x 20.00 x 6.00 508 x 508 x 152	RAL 7035 Lt. Gray	16	16	CP2020	CP2020G	18.20 x 18.20 462 x 462	20.75 x 22.25 527 x 565	1	Quarter-turn	10.00 254

UL 508A Listed; Type 4, 12; File No. E61997  
 cUL Listed per CSA C22.2 No. 94; Type 4, 12; File No. E61997

NEMA/EEMAC Type 4, 12, 13  
 CSA, File No. 42186: Type 4, 12  
 VDE IP66  
 IEC 60529, IP66

## Gas Safety Systems

American Gas Safety, LLC. 4500 140<sup>th</sup> Ave N. Suite 101. Clearwater, FL 33672 T.(727) 608-4375 F.(727) 538-4237 www.americangassafety.com

## Utility Control